

Connection of ECI 1 to GPS compass KGC-1

This manual is for connection with the GPS compass KGC-1.

CAUTION

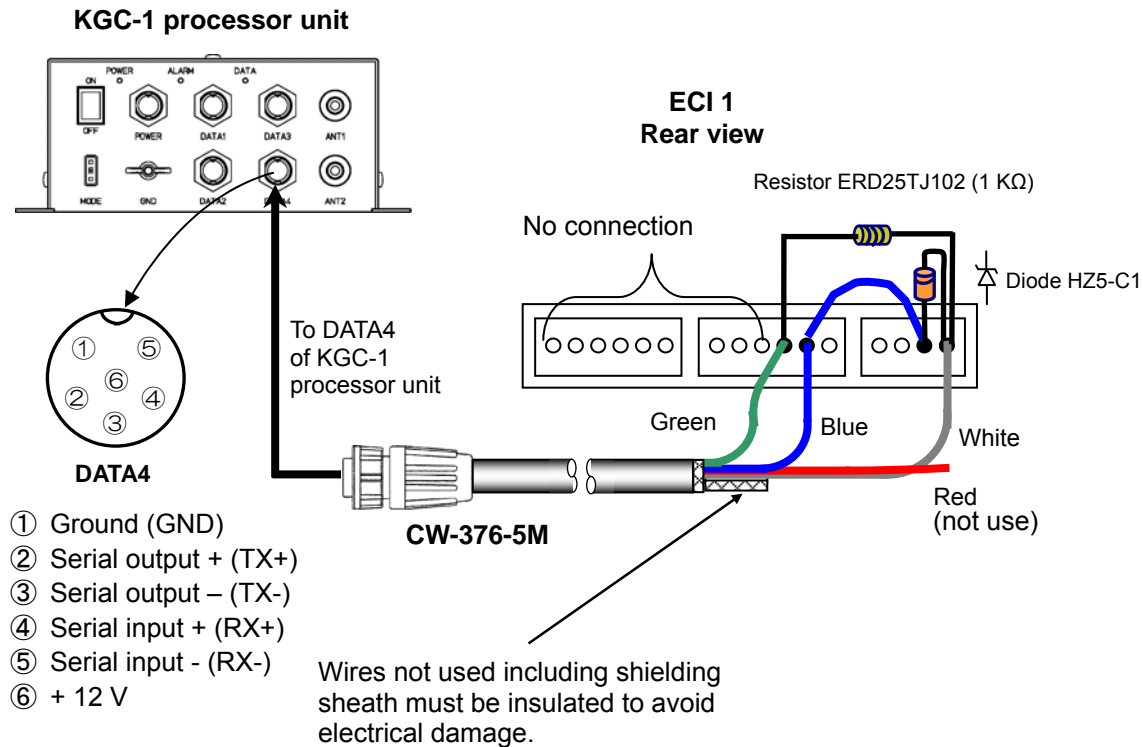
- Positional data cannot be displayed. ECI 1 displays only the heading data in this application.
- Connection with KGC-1 doesn't give full functions of ECI 1.
- As the cable to connect with KGC-1 isn't attached, it is necessary to order a connecting cable CW-376-5M.

Please refer to the separate simplified or CD manual for operation.

Connecting the unit

Connect the cable (CW-376-5M) and the attached resistor and diode from DATA4 connector of KGC-1 processor unit to ECI 1 as shown in the following drawing.

Please refer to an attached sheet for the details of the wiring



• Design and specifications are subject to change without notice.

KODEN Kodan Electronics Co., Ltd.

Tamagawa Office:
2-13-24 Tamagawa, Ota-ku, Tokyo, 146-0095 Japan
Tel: +81-3-3756-6501 Fax: +81-3-3756-6509
Uenohara Office:
5278 Uenohara, Uenohara-shi, Yamanashi, 409-0112 Japan
Tel: +81-554-20-5860 Fax: +81-554-20-5875

overseas@koden-electronics.co.jp

www.koden-electronics.co.jp



To ensure proper and safe use of the equipment, please carefully read and follow the instructions in the Operation Manual.

For details, please contact:

配線方法
Wiring method

- ① 抵抗およびダイオードを下図の寸法に加工する
Resistor and the diode are processed to the size of the figure below.
- ② 抵抗またはダイオードとCW-376-5Mの線を半田付けする
Resistor or the diode is soldered with the wiring for CW-376-5M
- ③ 各配線を端子に挿入し、締め付ける
Each wiring is inserted in the terminal, and it tightens

