

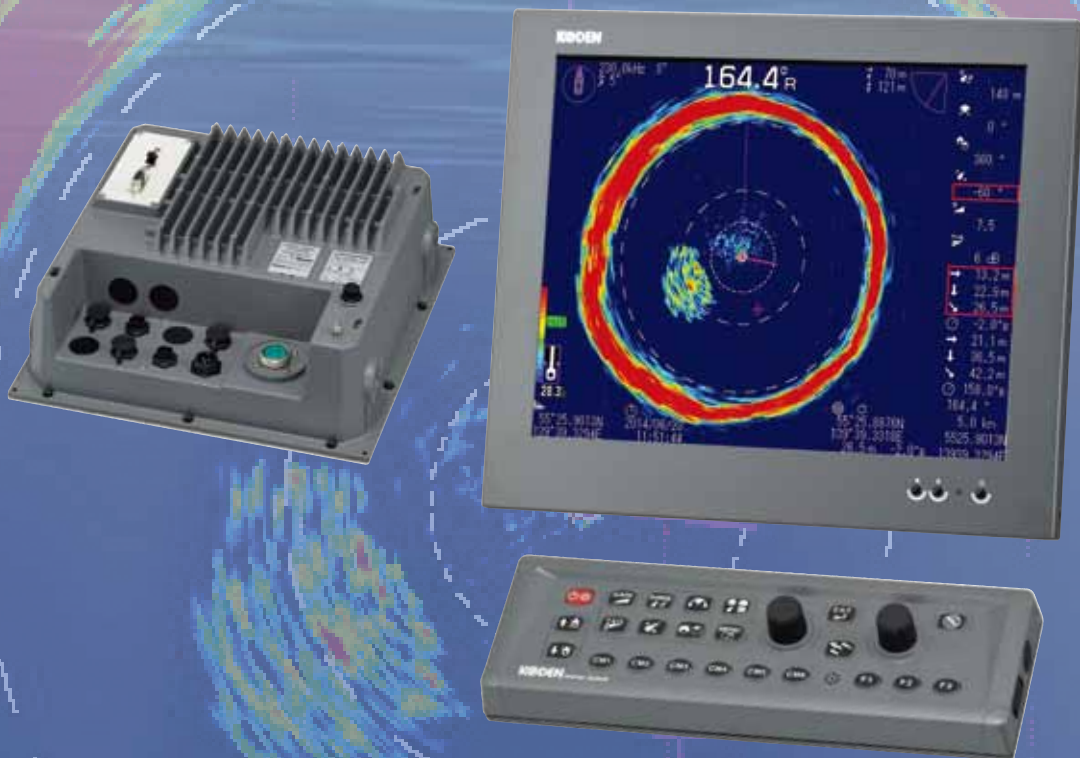
Digital Sonar

# KDS-6000BB

(((**Broadband**)))

**The Next Big Thing is Here  
Frequency Hopping Broadband Sonar**

17inch LCD Monitor (Optional)



## Features

- ▶ Change frequency on the go with our advanced Broadband Technology
- ▶ Massive improvement in scan speed, making detection of fish schools much faster
- ▶ Clearest possible images with our digital signal processing
- ▶ All setup and user settings changed instantly by utilizing Conditional Memory function
- ▶ Black Box sonar with 17inch LCD Monitor available (Optional)

# Digital Sonar

# KDS-6000BB

## ● Advanced Broadband Technology

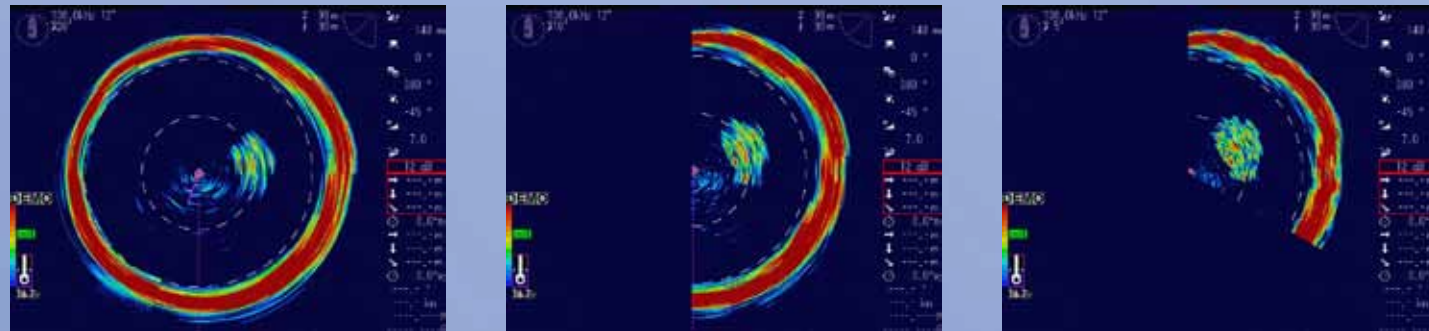
KDS-6000BB is world first Broadband searchlight sonar. With the wide band transducer equipped as standard, the most suitable output frequency can be selected in 0.1 kHz step depending on the fishing method and the target species from closer range to longer range. Selection of frequency is as easy and quick as tuning a radio. Flexible selection of frequency enables the user to stay away from interference with the sounders on the other vessels.

## ● Clearest possible images with our digital signal processing

Both of high resolution in closer range and noise reduction performance in longer range are materialized at high level with newly-developed digital signal processing, KDP V.

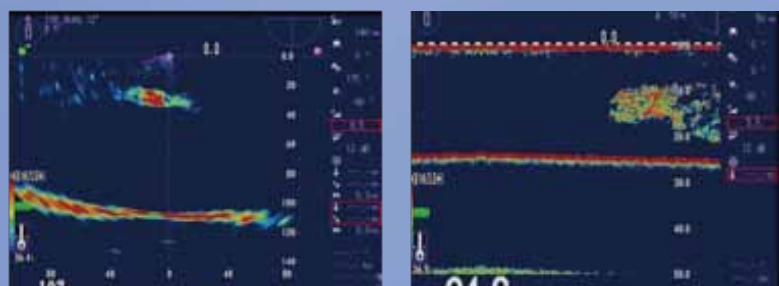
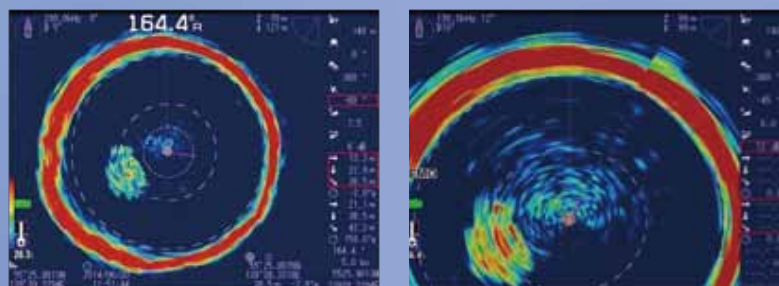
## ● Massive improvement in scan speed

Scanning speed is remarkably increased by adding 15° and 20° in scanning sector angle steps. It can detect surrounding fish schools quickly.



Comparison of scanning area of the same time period Range:140m

## ● Four different presentation modes



Bottom scan mode Echo sounder mode

- Sonar mode for searching around the ship.
- Off-center mode for showing more information of ahead.
- Bottom scan mode for displaying reflected echo from underwater and seabed in a cross-section image.
- Echo sounder mode for displaying image like fishfinder.

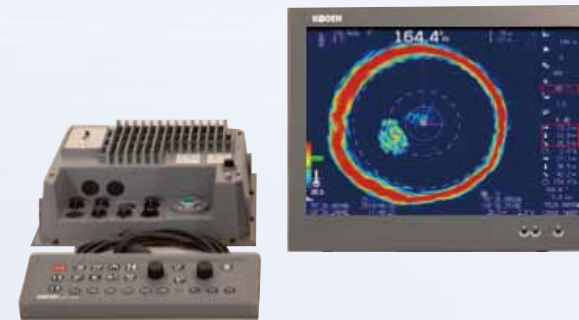
## ● CM keys



Six of CM keys

Six of CM (Condition Memory) keys offer the user to preset all the current settings and recall them instantly. It is like six sonars in one unit.

## ● Black box type



KDS-6000BB comes in black box. The user can select a monitor from the market or the optional 17 inch LCD monitor

## ● Space-saving Hoist / Lower unit

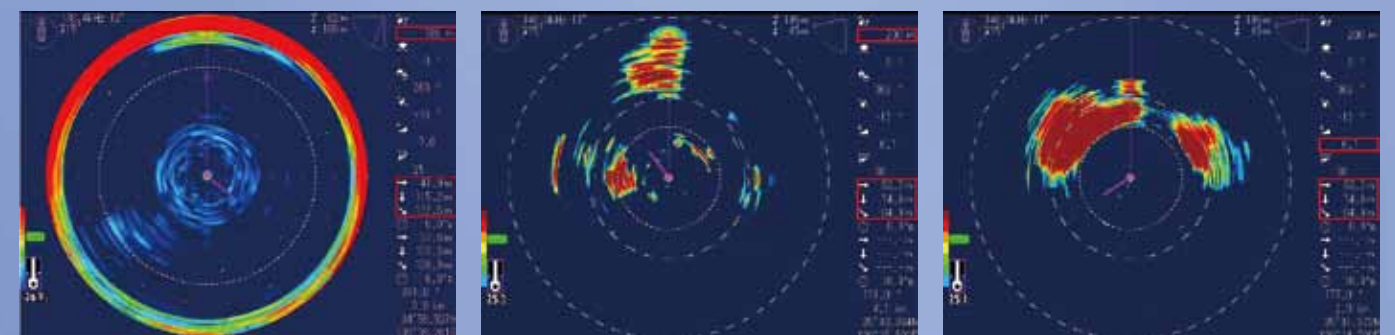


Hoist / Lower DHU-6301

Transducer unit DHU-6302

Newly-designed compact Hoist / Lower unit allows for saving the space on your vessel.

## ● Example of image



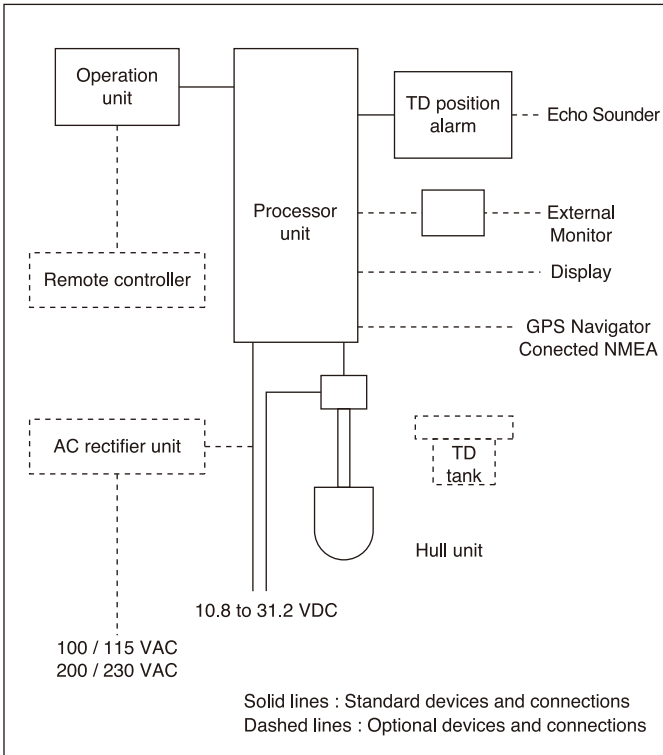
Spear squids at the sea bottom Tunas attacking school of sardines Pilchards



## SPECIFICATIONS

Model	KDS-6000BB											
Output power (RMS)	1.5 kW											
Output frequency	130 to 210 kHz ( 0.1 kHz step)											
Tilt angle	+5° to -90° (1°step)											
Beam angle	8° to 12°											
TD stroke	150 to 380 mm (Recommended value 150 mm)											
Display size and type	Any monitor with VGA resdution (Owner supplied)											
Basic ranges	10 to 1000 (m), 30 to 3000 (ft), 10 to 600 (fm), 10 to 700 (l.fm) (8 ranges can be set to users choice)											
Range units	m, ft, fm, l.fm											
Scanning sector angles	5°step: 5°, 25°, 45°, 85°, 125°, 165°, 205°, 360° 10°step: 10°, 30°, 50°, 90°, 130°, 170°, 210°, 360° 15°step: 15°, 45°, 75°, 105°, 135°, 165°, 225°, 360° 20°step: 20°, 60°, 100°, 140°, 180°, 220°, 260°, 360°											
Bottom scan mode	3°step: 3°, 27°, 45°, 63°, 93°, 117°, 147°, 177° 5°step: 5°, 25°, 45°, 65°, 95°, 115°, 145°, 175°											
360° Scanning time (sec)	20	40	60	80	100	120	160	180	200	240	400	
Scanning range (m)	6.3	8	10	11.8	14	15.8	19.5	21.6	23.5	27.5	43.3	
Scanning time (sec) 5° step	3.7	4.7	5.6	6.5	7.6	8.6	10.6	11.5	12.5	14.4	22.4	
Scanning time (sec) 10° step	3.3	3.7	4.3	4.9	5.7	6.4	7.9	8.2	8.9	10.3	15.7	
Scanning time (sec) 15° step	3.3	3.4	3.8	4.2	4.8	5.2	6.4	6.6	7.3	8.1	12.2	
Scanning time (sec) 20° step												
Bearing center	1°step											
Presentation modes	Sonar, Off-center, Bottom scan, Echo sounder											
Off-Center	Fore, Back, Left, Right											
Target lock	Reverse, Horizontal, Horizontal + vertical, Marker + Horizontal, Marker + vertical											
Presentation colors	8 colors, 16 colors											
Functions	TVG, Color rejection, Dynamic range, Compass display, Pulse width, Output power, Noise rejection, A-scope, CM key, Frequency bandwidth, Image correction, Bearing display, TD auto up											
Language	English, Japanese, Korean, Traditional Chinese, Vietnamese, Thai, Spanish											
Input data format and sentences	NMEA0183 GGA, GLL, HDG, HDM, HDT, RMC, VTG, ZDA											
Output data format and sentences	NMEA0183 DBT, DPT, GGA, GLL, MTW, RMC, TLL, VTG, ZDA											
NMEA ports	Total 1 : input / output											
Power supply Processor unit	10.8 to 31.2 VDC											
Hull unit	10.8 to 31.2 VDC											
Power consumption Processor unit	70 W or less (24 VDC)											
Hull unit	70 W or less (24 VDC)											
Operating temperature	-15 °C to + 55 °C											
Water protection	-											

## CONNECTIONS

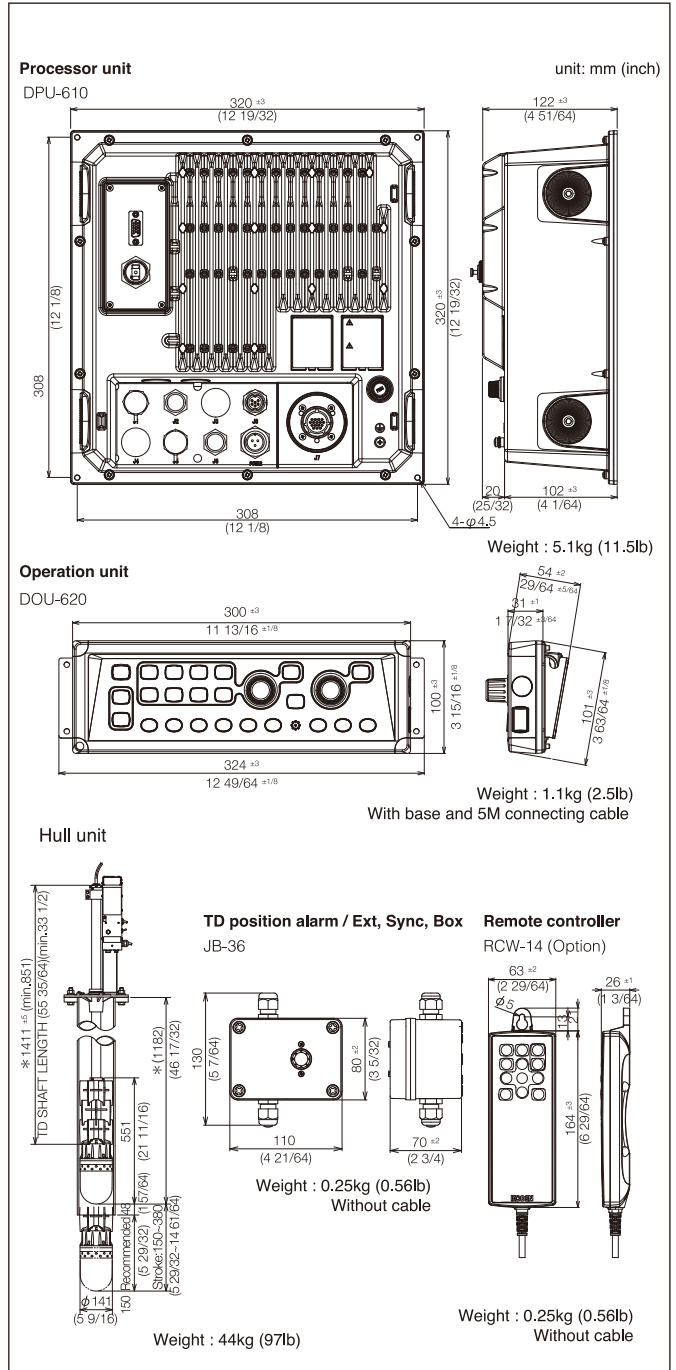


## EQUIPMENT LIST

Standard equipment	Processor unit	1
	Operation unit	1
	Hull unit	1
	Accessories for Processor unit	1
	Installation materials for Hull unit	1
	TD position alarm	1
	DC powre cable	1
	Operation manual, Installation manual, Quick Reference	1

Options	Remote controller, PCV TD tank, FRP TD tank, Shaft guide for FRP tank AC rectifier unit, Connecting cable, 17 inch LCD monitor
---------	---

## DIMENSIONS AND WEIGHT



• Design and specifications are subject to change without notice.

**KODEN** Kodon Electronics Co., Ltd.

Tamagawa Office:  
2-13-24 Tamagawa, Ota-ku, Tokyo, 146-0095 Japan  
Tel: +81-3-3756-6501 Fax: +81-3-3756-6509  
Uenohara Office:  
5278 Uenohara, Uenohara-shi, Yamanashi, 409-0112 Japan  
Tel: +81-554-20-5860 Fax: +81-554-20-5875

overseas@koden-electronics.co.jp

www.koden-electronics.co.jp



**Safety precaution** To ensure proper and safe use of the equipment, please carefully read and follow the instructions in the Operation Manual.

For details, please contact: