

# 5.7-inch Color LCD Navigational Echo Sounder

# KODEN

# CVR-010



## Features

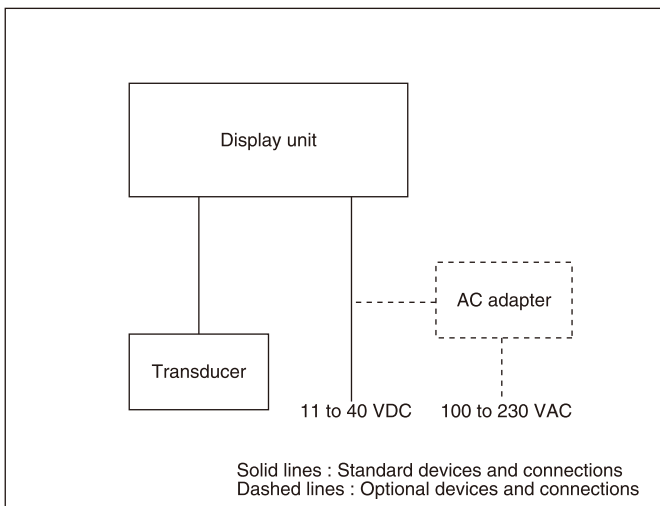
- 600 w, single frequency of 50 kHz or 200 kHz
- Meets IMO standard MSC.74 (69) Annex 4
- Meets EU Marine Equipment Directive (MED)
- High accuracy and reliability
- Automatic control for the receiver gain and TVG levels
- Sounding data storage for the last 12 hours
- Password protection for keeping the menu settings

## SPECIFICATIONS

Model	CVR-010	
Output power (RMS)	600 W	
Transducer	TGM 60-50-20L (TD-26 / 20L)	TGM 80-200-20L (TD-65 / 20L)
Output frequency	50 kHz	200 kHz
Output method	Single	
Display size and type	5.7 inch color TFT LCD, LED-backlight	
Display resolution	240 x 320 pixels (QVGA)	
Basic ranges	5, 10, 20, 40, 100, 200, 400, 800 (m), 2.5, 5, 15, 20, 40, 100, 200, 400 (fm) , 20, 40, 100, 200, 400, 1000, 2000, 4000 (ft)	
Range units	m, ft, fm	
Accuracy of measurement	Better than $\pm 2.5\%$ of digital depth readout	
Minimum detectable depth	1m	0.5 m
Range discrimination	20 m range: 5 mm / m, 200 m range: 0.5 mm / m	
Transmit pulse repetition interval	20m $\leq$ : 36 times or more / minute, 20m $>$ : 12 times or more / minute	
Soundings history	Max. 12 hours	
Data storage interval	At 2 second interval	
Presentation colors	8 colors	
Back ground colors	Marine Blue, Black, White	
Alarms	Depth, Bottom-Missing, Power failure, Power removal / shutoff	
Image speed	1step	
Functions	Noise reduction, LOG DATA, White line, VRM, Transducer location, Depth reference, Draft, Date/Time, LAT/LON *	
Auto functions	Range, TVG, GAIN	
Languages	English, Russian	
Input data format and sentences	NMEA0183 GGA, VTG, ZDA, RMC, ACK	
Output data format and sentences	NMEA0183 DPT, PSKPDPT, DBT, DBK, ALR	
NMEA ports	3 (input / output 3)	
Power supply	24 VDC (11 to 40 VDC)	
Power consumption	15 W or less (24 VDC)	
<b>Environmental</b>		
Operating temperature	-15°C to +55°C	
Water protection	n / a	

\* Requires data from GPS sensor

## CONNECTIONS



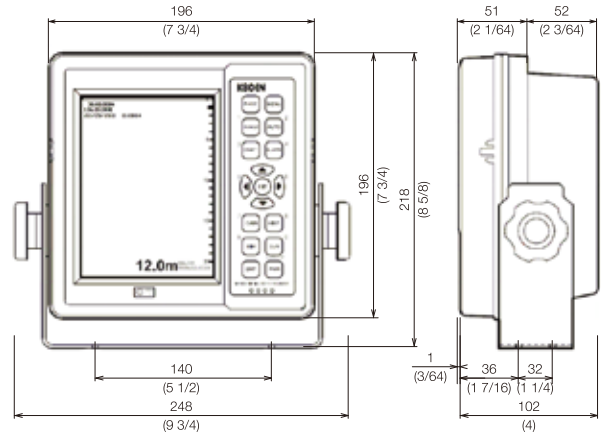
## EQUIPMENT LIST

Standard equipments	Display unit with mounting bracket
	DC power cable, Spare parts, Operation manual
	Transducer, Connector (2p, 3p, 6p, 8p)
Options	AC adapter, Connector for RS-422 (9p)

## DIMENSIONS AND WEIGHT

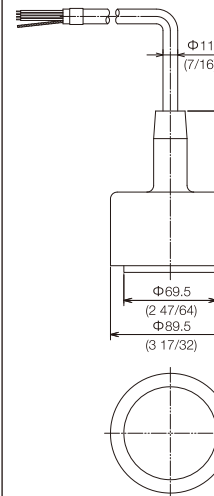
Unit: mm (inch)

### Display Unit CVR-010



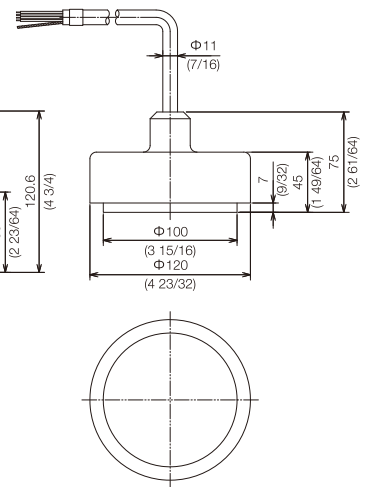
Weight : 2.2kg (4.8lb)

### Transducer TGM 60-50-20L (TD-26 / 20L)



Weight : 4.5kg (9.95lb)

### TGM 80-200-20L (TD-65 / 20L)



Weight : 4.1kg (9.05lb)

• Design and specifications are subject to change without notice.

**KODEN** Kodens Electronics Co., Ltd.

Tamagawa Office:  
2-13-24 Tamagawa, Ota-ku, Tokyo, 146-0095 Japan  
Tel: +81-3-3756-6501 Fax: +81-3-3756-6509  
Uenohara Office:  
5278 Uenohara, Uenohara-shi, Yamanashi, 409-0112 Japan  
Tel: +81-554-20-5860 Fax: +81-554-20-5875

overseas@koden-electronics.co.jp

[www.koden-electronics.co.jp](http://www.koden-electronics.co.jp)



**Safety  
precaution**

To ensure proper and safe use of the equipment, please carefully read and follow the instructions in the Operation Manual.

For details, please contact: