

# KODEN

10.4-inch Color LCD  
Marine Radar

## MDC-2000A Series

### Smart selection for safe navigation



### Features

#### ► Dual range display

Exclusive dual range radar function lets you have split-screen display of both long and short-range simultaneously. It is like having two radars in one.

#### ► True Trail function

True Trail function clearly identifies moving targets from stationary targets like land or buoys.

## SPECIFICATIONS

### Antenna-Scanner unit

Model	MDC-2004A	MDC-2041A	MDC-2040A	MDC-2006A	MDC-2012A
Type	RB804	RB805	RB806	RB807	RB808
Antenna type	Radome		Open antenna		
Antenna length	1.2 feet	2 feet	3 feet	4 feet	6 feet
Output power (Peak)	4 kW		6 kW		
Output frequency	9410 MHz ± 30 MHz				
Horizontal beam width	5.9°	3.9°	2.5°	1.8°	1.8°
Vertical beam width	25°		22°		
Rotation	24 rpm or 48 rpm				24 rpm or 42 rpm
IF center frequency	60 MHz				
Range accuracy	8 meters or 1% of the range scale selected, whichever is the greater				
Bearing accuracy	1° or less				
Minimum detecting distance	Within 25 m				
Range resolution	Within 25 m				
Warm-up time	2 min				
Pulse width	0.08 μs, 0.15 μs, 0.3 μs, 0.5 μs, 1 μs				

### Environmental

Operating temperature	-25°C to +55°C
Water protection	IPX6

### Display unit

Model	MDC-2004A	MDC-2041A	MDC-2040A	MDC-2006A	MDC-2012A
Display unit	MRD-104A				
Display size and type	10.4" color TFT LCD				
Effective diameter	157.4 mm				
Display resolution	480 x 640 pixels (VGA)				
Off-centering	Max. 66%				
Echo area	2 types (Full screen, Inside of effective diameter)				
Basic ranges	0.0625 to 32 NM		0.0625 to 48 NM		0.0625 to 72 NM
Range scales	0.0625; 0.125; 0.25; 0.5; 0.75; 1; 1.5; 2; 3; 4; 6; 8; 12; 16; 24; 32; 48; 64; 72				
Range ring interval	0.03125; 0.0625; 0.125; 0.25; 0.5; 1; 2; 3; 4; 6; 8; 12; 16; 18				
Presentation modes	Head-up, North-up (True motion)***, North-up (Relative motion)*, Course-up (True motion)***, Course-up (Relative motion)*, Way Point-up**				
Indication system	PPI, PPI/PPI, PPI/NAV				
Video level	8 levels (colors)				
Range unit	NM, km, sm				
Alarms	Echo (IN / OUT), ATA / AIS (CPA / TCPA), etc.				
Functions	Interference rejection, Target expansion, VRM, EBL, Parallel index, Cursor position (Lat/Lon)***, Bearing (true*/relative), Trail***, RGB Monitor output, Slave display monitor input/output, External Buzzer, Accepts CCD camera input, Dual display				
Input data format and sentences	NMEA0183 Ver 1.5 / 2.0 / 3.0 BEC, BWC, BWR, DPT, DBT, GGA, GLL, GNS, HDG, HDM, HDT, MTW, MWD, MWV, RMA, RMB, RMC, VHW, VTG, XTE				
Output data format and sentences	NMEA0183 Ver 2.0 TTM, TLL				
NMEA ports	Total 2: input and output				
ATA(TT)*** (Option)	50 targets				
AIS interface*** (Option)	100 targets				
Power supply	10.8 to 31.2 VDC				
Power consumption (24 VDC)	65 W or less		80 W or less		110 W or less

### Environmental

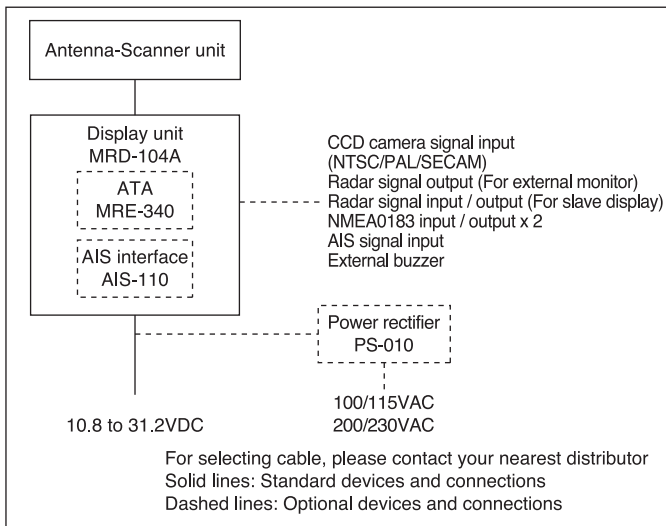
Operating temperature	-15°C to +55°C
Water protection	IPX5

\* Requires bearing data input.

\*\* Requires waypoint data, bearing and latitude / longitude data input.

\*\*\* Requires bearing data, ship's speed data and latitude / longitude data input.

## CONNECTIONS



## EQUIPMENT LIST

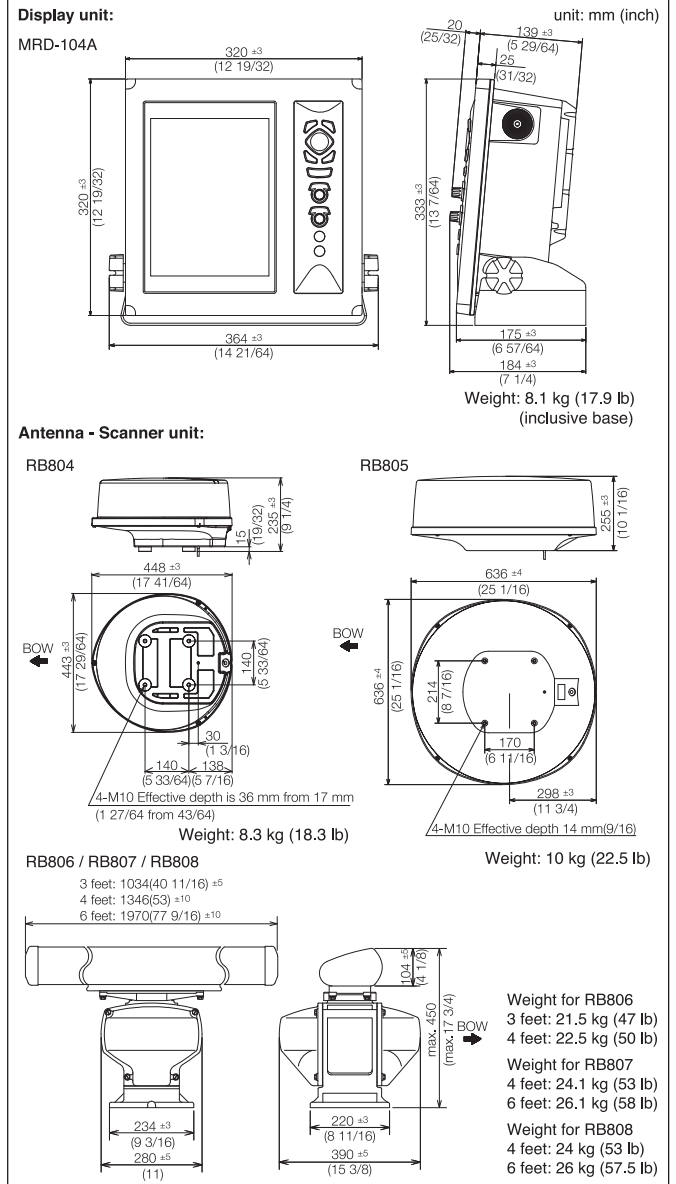
### Standard Equipment

Antenna-Scanner unit	Radome	RB804	1.2 feet	4 kW	MDC-2004A
		RB805	2 feet	4 kW	MDC-2041A
	Open	RB806	3, 4 feet	4 kW	MDC-2040A
		RB807	4, 6 feet	6 kW	MDC-2006A
		RB808	4, 6 feet	12 kW	MDC-2012A
	Antenna	RW701A-03	3 feet, MDC-2040A		
		RW701A-04	4 feet, MDC-2040A / 2006A / 2012A		
		RW701A-06	6 feet, MDC-2006A / 2012A		
Display unit		MRD-104A	with hard cover		
Connecting cable		242J158055A-10M	10 m, MDC-2004A / 2041A		
		242J159098A-10M	10 m, MDC-2040A		
		CW-845-15M	15 m, MDC-2006A / 2012A		
DC power cable		CW-259-2M	2 m		
Operation manual, Quick reference, Installation material, Fuse					

### Option

ATA, AIS interface, CCD camera cable, Gyro/Log interface, Power rectifier, AC power cable, Connecting cable

## DIMENSIONS AND WEIGHT



\* Design and specifications are subject to change without notice.

**KODEN** Kodon Electronics Co., Ltd.

Tamagawa Office:  
2-13-24 Tamagawa, Ota-ku, Tokyo, 146-0095 Japan  
Tel: +81-3-3756-6501 Fax: +81-3-3756-6509  
Uenohara Office:  
5278 Uenohara, Uenohara-shi, Yamanashi, 409-0112 Japan  
Tel: +81-554-20-5860 Fax: +81-554-20-5875

overseas@koden-electronics.co.jp

www.koden-electronics.co.jp



**Safety precaution** To ensure proper and safe use of the equipment, please carefully read and follow the instructions in the Operation Manual.

For details, please contact: