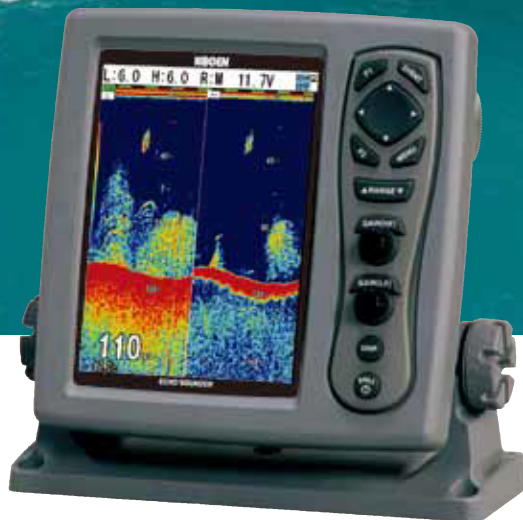


KODEN

8.4 / 10.4-inch Color LCD
Echo Sounder

CVS-128B / CVS-1410B

Find your best setting for your fishing



CVS-128B



CVS-1410B

Features

- ▶ Two types of the broadband transducer are available for your choice. Two optional frequencies can be selected and changed during use within the ranges below. This gives you an extraordinary maneuverability.
TDM-071: 38 to 65 kHz
TDM-091D: 42 to 65 kHz, 130 to 210 kHz
- ▶ Interference with other echo sounders can be avoided by adjusting frequencies to use.
- ▶ The Koden Digital Filtering (KDF™) technology has enabled low noise, high resolution and outstanding distance of detection.

SPECIFICATIONS

| | | |
|-----------------------------------|---|---|
| Model | CVS-128B | CVS-1410B |
| Output power (RMS) | 2 kW | |
| Transducer (Output frequency) | TDM-071 (38 to 65 kHz) TDM-091D (42 to 65 kHz and 130 to 210 kHz) | |
| Selectable frequency range | 24 to 210kHz 0.1kHz step | |
| Output method | Single or Alternate | |
| Display size and type | 8.4 inch color TFT LCD | 10.4 inch color TFT LCD |
| Display resolution | 640 x 480 pixels (VGA) | |
| Basic ranges | 2.5 to 1200 (m), 10 to 3600 (ft), 2.5 to 700 (fm / l. fm) (8 ranges can be set to users choice) | 2.5 to 2000 (m), 10 to 6000 (ft), 2.5 to 1100 (fm / l. fm) (8 ranges can be set to users choice) |
| Zoom ranges | 2.5 to 200 (m), 10 to 650 (ft), 2.5 to 150 (fm / l. fm) | |
| Range units | m, ft, fm, l.f.m | |
| Shift step | 1m, 10m, 1/8, 1/4 | |
| Presentation modes | High frequency, Low frequency, Dual frequency, Zoom image (Bottom lock, Bottom discrimination, Bottom zoom, Zoom, Bottom follow zoom), Nav mode, Vertical split, Horizontal split A-scope can be displayed at all above modes | |
| Presentation colors | 64 colors, 16 colors, 8 colors, Monochrome | |
| Back ground colors | Marine blue, Blue, Black, White, Nighttime color, Other 5 colors | |
| Alarms | Bottom, Fish, Temperature*, Speed**, Arrival***, XTE*** | |
| Image speed | 9 steps & stop | |
| Functions | Interference rejection, Color rejection, VRM, Noise rejection, White line, Draft correct, Water temperature correct, Boat speed correct, Store image (10 images), Sona-Tone™, Fishing Hot Spot, Event memory, Simple plotter, Panel illumination, Power reduction, External trigger, Fish information, Detection area display | |
| Auto functions | Gain, Range, Shift | |
| Language | Chinese, English, French, Greek, Italian, Japanese, Korean, Spanish, Thai | |
| Input data formats and sentences | NMEA0183 Ver.1.5 / 2.0 / 3.0 GGA, GLL, HDT, MTW, MWV, RMC, VHW, VTG, ZDA | |
| Output data formats and sentences | NMEA0183 Ver.2.0 (DBT : Ver.1.5) DBT, DPT, GGA, GLL, HDT, MTW, MWV, RMC, TLL, VHW, VTG, ZDA | |
| NMEA input / output port | 1 (input / output 1) | |
| Power supply | 10.8 to 31.2 VDC | |
| Power consumption | 25 W or less (24 VDC) | 30 W or less (24 VDC) |

Environmental

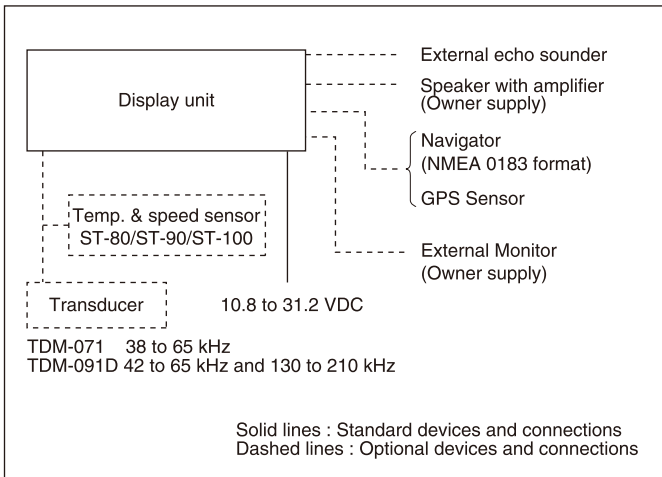
| | |
|-----------------------|----------------|
| Operating temperature | -15°C to +55°C |
| Water protection | IPX5 |

* Requires data from Temp sensor

** Requires speed data from Speed sensor or GPS sensor

*** Requires data from GPS sensor

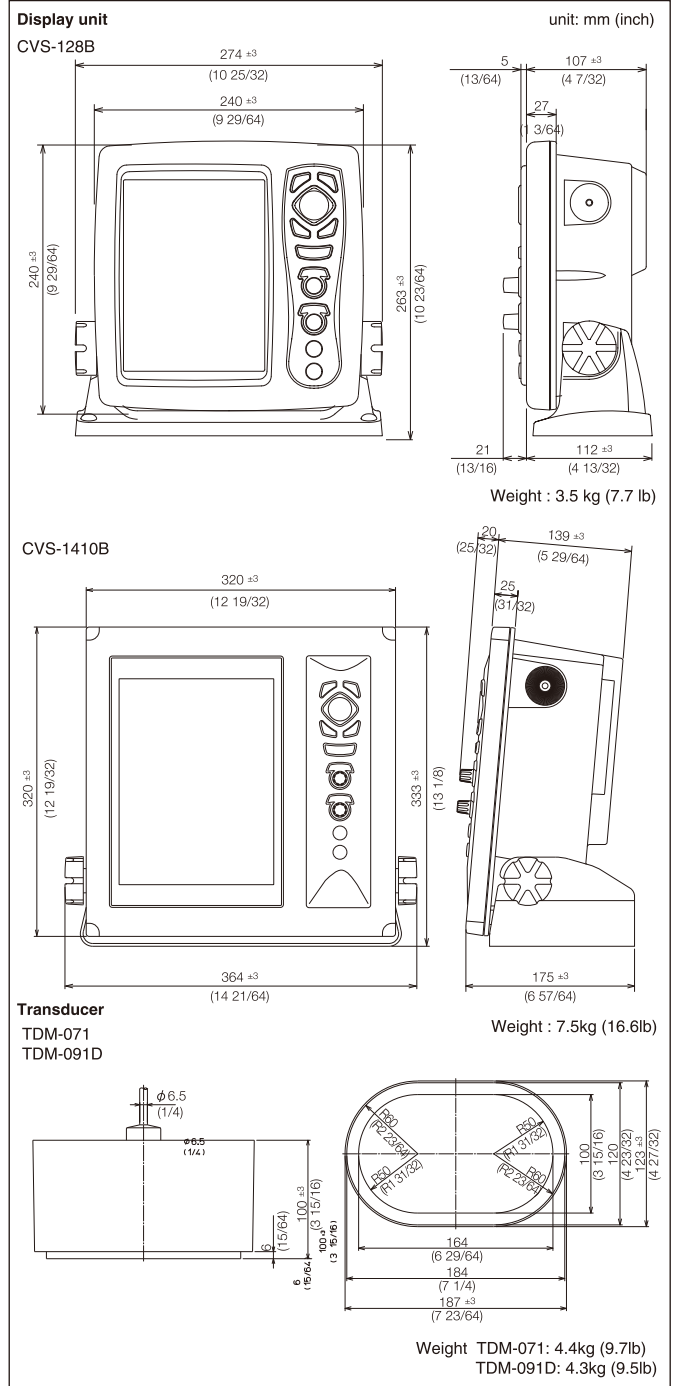
CONNECTIONS



EQUIPMENT LIST

| | | |
|--------------------|--|-------|
| Standard equipment | Display unit with hard cover, Mounting bracket | 1 set |
| | DC power cable, Spare parts Operation manual, Quick reference | 1 set |
| Essential option | Transducer | 1 set |
| Options | Temp. & speed sensor, Connection cables for external devices | |

DIMENSIONS AND WEIGHT



• Design and specifications are subject to change without notice.

KODEN Kodon Electronics Co., Ltd.

Tamagawa Office:
2-13-24 Tamagawa, Ota-ku, Tokyo, 146-0095 Japan
Tel: +81-3-3756-6501 Fax: +81-3-3756-6509
Uenohara Office:
5278 Uenohara, Uenohara-shi, Yamanashi, 409-0112 Japan
Tel: +81-554-20-5860 Fax: +81-554-20-5875

overseas@koden-electronics.co.jp

www.koden-electronics.co.jp



Safety precaution

To ensure proper and safe use of the equipment, please carefully read and follow the instructions in the Operation Manual.

For details, please contact:

CVS-128B / 1410B **KODEN**

Upgrade the latest Digital Echo Sounder with your existing transducers.

Option 1

CVS-128B / 1410B + two existing transducers

Before

Your echo
sounder
(Koden, etc.)

Low freq.
Transducer

High freq.
Transducer

You get Display unit
and Transducer
Switching unit

After

《DIGITAL》



CVS-128B
or
CVS-1410B



JB-38
Transducer
Switching
unit(Option)

Low freq.
Transducer

High freq.
Transducer

You can use
existing
Transducers

Latest technology with minimum out of pocket expense

You can exchange from your existing Echo Sounder to the latest Digital Echo Sounder CVS-128B / 1410B and keep using your existing transducers (from 24 to 210kHz) by utilizing Transducer Switching unit.

Only exchange from your existing display
unit to CVS-128B / 1410B
(Keep using your existing transducers.)

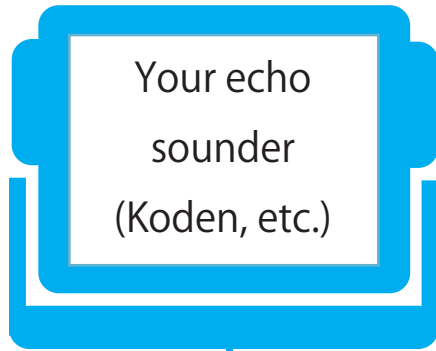
=

No transducer cost
No dry dock fees

Option 2

CVS-128B / 1410B + an existing transducer

Before

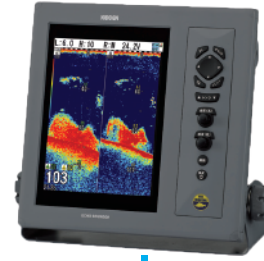


Transducer

You get
Display unit

After

《《DIGITAL》》



CVS-128B
or
CVS-1410B

You can use
existing
Transducer

Transducer

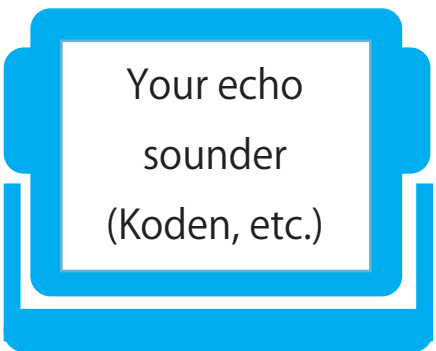
Option 3

CVS-128B / 1410B + a new Broadband transducer

You can also replace whole existing Echo Sounder with CVS-128B / 1410B.

Two types of Broadband transducers, TDM-071 or TDM-091D are available.

Before



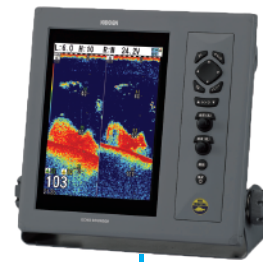
Low freq.
Transducer

High freq.
Transducer

You get
the complete set

After

《《BROADBAND》》



CVS-128B
or
CVS-1410B

TDM-071
(38~65kHz)
or
TDM-091D
(42~65kHz, 130~210kHz)

KODEN Koden Electronics Co., Ltd.

Tamagawa Office:
2-13-24 Tamagawa, Ota-ku, Tokyo, 146-0095 Japan
Tel: +81-3-3756-6501 Fax: +81-3-3756-6509
Uenohara Office:
5278 Uenohara, Uenohara-shi, Yamanashi, 409-0112 Japan
Tel: +81-554-20-5860 Fax: +81-554-20-5875

overseas@koden-electronics.co.jp

www.koden-electronics.co.jp



**Safety
precaution**

To ensure proper and safe use of the equipment, please carefully read and follow the instructions in the Operation Manual.

For details, please contact: