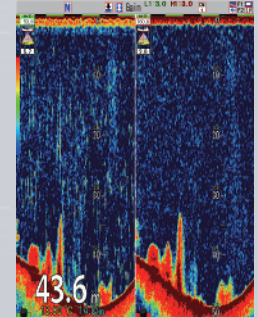
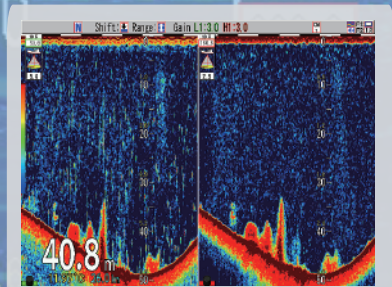
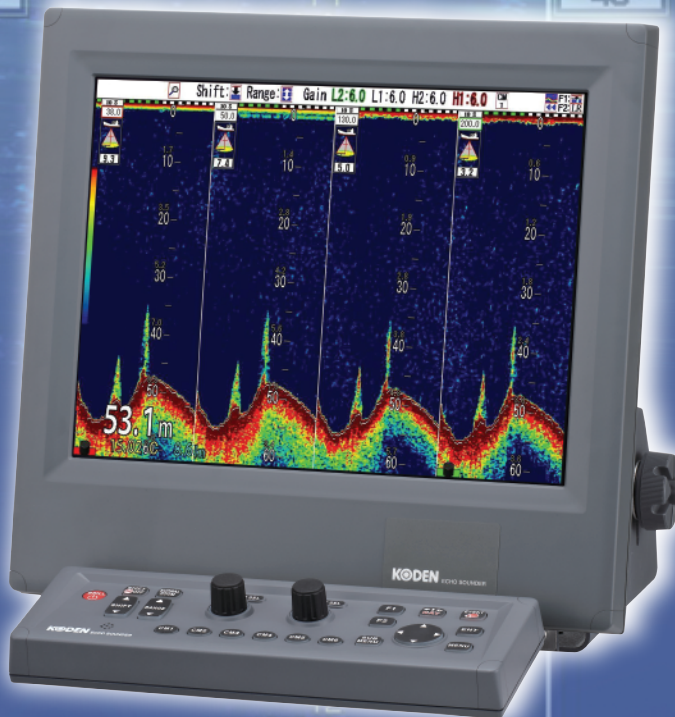


15-inch Color LCD
Echo Sounder

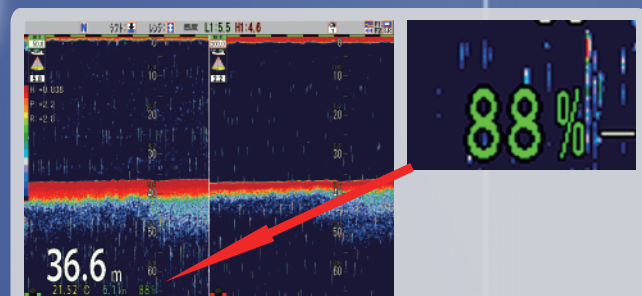
CVS-875D/877D

(((Broadband)))

Digital Broadband Sounder
Perfect solution for your fishing



Switchable to (from) Horizontal
from (to) Vertical (for CVS-877D)



Bottom Hardness Display by %

Features

Simultaneous and variable quad frequency sounder enables clear target discrimination.

Four frequencies are selectable in 0.1 kHz step by using the dedicated transducer.

Six Condition Memory keys for immediate calling of your preferred setups.

Extremely high resolution and low noise materialized by Koden Digital Filtering (KDF™) technology.

CVS-877D Black box echo sounder connects to any XGA type display.

SPECIFICATIONS

Model	CVS-875D	CVS-877D
Display unit	ESD-230	-
Processor unit	-	ESM-230
Operation unit	ESO-200	
Display size and type	15 inch color XGA LCD	Any monitor with XGA resolution (Owner supply)
Display resolution	1024 × 768 pixels (XGA)	-
Basic range	1 to 3000 (m), 5 to 8000 (ft), 1 to 1700 (fm), 1 to 2000 (l. fm) (8 ranges can be set to users choice)	
Zoom range	1 to 260 (m), 5 to 960 (ft), 1 to 140 (fm), 1 to 180 (l. fm)	
Range unit	m, ft, fm, lfm	
Shift step	Selectable: Numerical value, Range ratio 1/5, Registered value (8 types), Shift digit input, Range dependent	
Presentation modes	High frequency, Low frequency, 1 to 4 frequency, Zoom image (Bottom lock, Bottom discrimination, Bottom zoom, Zoom, Bottom follow zoom), Nav mode, Vertical split, Horizontal split, Mix A-scope can be displayed at all above modes	
Presentation colors	64 colors, 16 colors, 8 colors, Monochrome	
Back ground colors	Marine blue, Blue, Dark blue, Black, White, Night mode, Other 4 colors	
Alarms	Bottom, Fish, Temperature*, Speed**, Arrival**, XTE**	
Image speed	12 steps & stop	
Functions	Interference rejection, Color erase, VRM, Noise reduction, White line, Draft correct, Water temperature correct, Boat speed correct, Store image (500 images), Sona-Tone™, Homing, Event memory, Simple plotter, Panel illumination, Power reduction, External trigger, Detection area display, CM key, Water Temp. graph, Individual range operation, Individual shift operation, External memory storage (SD card, USB memory), Heaving compensation, Bottom Hardness display, Display direction (CVS-877D only)	
Auto functions	Range, Shift, TVG, TX Power, White Line	
Function registration	A scope, Shift digit input, Interference rejection, Color erase, Noise reduction, White line, Background color, TVG adjust, VRM interval, Image recall, Image swap, Image Title, Sona-Tone™, Nav start, Frequency, Event key usage, Key lock, Depth unit, Color tone, B.D. mode	
Languages	Traditional Chinese, Simplified Chinese, English, French, Greek, Italian, Japanese, Korean, Spanish, Thai, Danish	
Input data formats and sentences	NMEA0183 Ver.1.5 / 2.0 / 3.0 GGA, GLL, HDT, MTW, MWV, MWD, RMC, VHW, VTG, ZDA	
Output data formats and sentences	NMEA0183 Ver.2.0 / 3.0 (DBT : Ver.1.5) DBT, DPT, GGA, GLL, HDT, MTW, MWV, RMC, TLL, VHW, VTG, ZDA	
NMEA ports	Total 2 : input and output	
Power supply	21.6 to 31.2 VDC	
Power consumption (24 VDC)	70 W or less	50 W or less

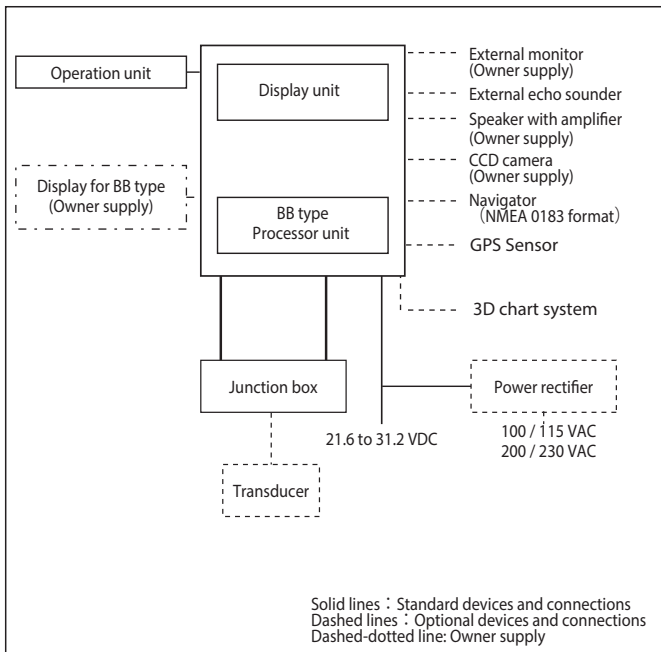
Environmental

Operating temperature	-15°C to +55°C	
Water protection	IPX5 (Display unit, Operation unit)	IPX0 (Operation unit), IPX0 (Processor unit)

* Requires data from Temp sensor or external Temp data input

** Requires data from GPS sensor

CONNECTIONS



EQUIPMENT LIST

Standard equipment	Display unit with mounting bracket (CVS-875D only)	1 set
	Processor unit (CVS-877D only)	1 set
	Operation unit	1 set
	DC power cable, Junction box, Spare parts	1 set
	Operation manual, Installation manual, Quick reference	1 set
Essential option	Transducer	1 set
Options	Connection cables for external devices, Power rectifier	

TRANSDUCER

Broadband type

Model	Frequency	Output power (RMS)
TDM-052A	38 to 75 kHz and 130 to 210 kHz	3 kW
TDM-062A	38 to 75 kHz and 85 to 135 kHz	3 kW
TDM-083	28 to 60 kHz and 130 to 210 kHz	3 kW
TDM-091 / 091D	42 to 65 kHz and 130 to 210 kHz	1 kW
TDM-071	35 to 65 kHz	1 kW

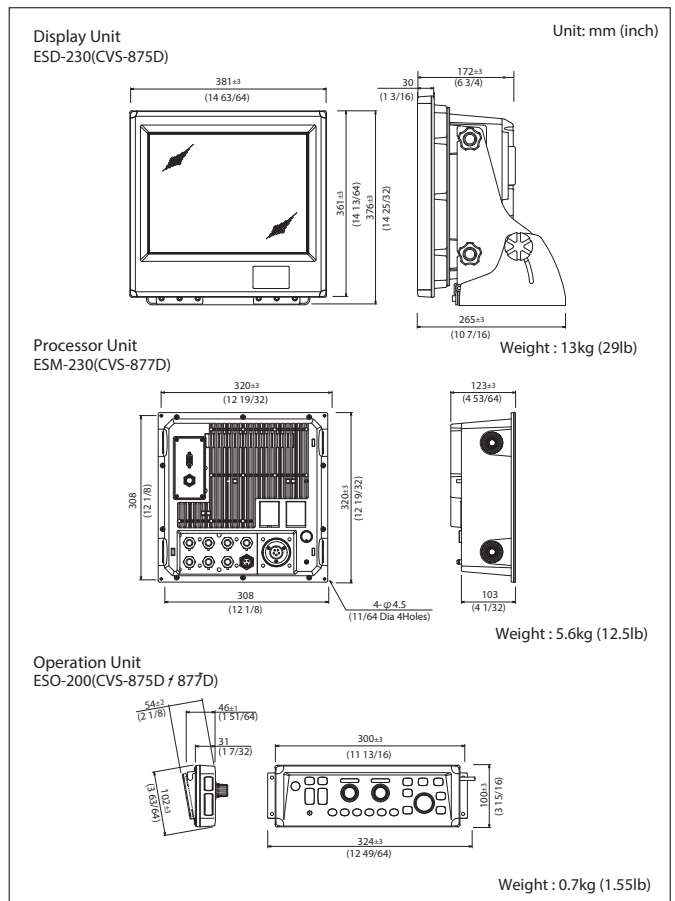
Selectable frequency range : 24 to 240 kHz, 0.1kHz step

Normal type

Model	Frequency	Output power (RMS)
TD-284 / 284A	28 kHz	3 kW
TD-504T / 504F	50 kHz	3 kW
TD-501C	50 / 200 kHz	1 kW
TD-501T-3B	50 / 200 kHz	1 kW
TD-754	75 kHz	3 kW
TD-66	200 kHz	1 kW

• The number of display screen depends on Transducer.

DIMENSIONS AND WEIGHT



• Design and specifications are subject to change without notice.

KODEN Koden Electronics Co., Ltd.

Tamagawa Office:
2-13-24 Tamagawa, Ota-ku, Tokyo, 146-0095 Japan
Tel: +81-3-3756-6501 Fax: +81-3-3756-6509
Uenohara Office:
5278 Uenohara, Uenohara-shi, Yamanashi, 409-0112 Japan
Tel: +81-554-20-5860 Fax: +81-554-20-5875

overseas@koden-electronics.co.jp

www.koden-electronics.co.jp



Safety precaution To ensure proper and safe use of the equipment, please carefully read and follow the instructions in the Operation Manual.

For details, please contact: