

# **MARINE RADAR**

**MDC-5000/5200/5500/7000(P)/7900(P) Series**

## **Spare Parts Price List NSME**

**2021 - 2022**

**(December, 2021)**

Expiration date :March-31-2022

## Contents

	<b>Page</b>
<b>1. MDC-5000/5200/5500 series</b>	
1.1 MDC-5000 series Processor unit (MRD-110)	1
1.2 MDC-5200 series Display unit (MRD-111, S/No.11101000 and former)	3
1.3 MDC-5200 series Display unit (MRD-111, S/No.11101001 and after)	5
1.4 MDC-5500 series Display unit	7
<b>2. MDC-7000(P)/7900(P) series</b>	
2.1 MDC-7000/7000P series Processor unit (MRM-108/108P)	9
2.2 MDC-7900/7900P series Display unit (MRD-108/108P)	11
<b>3. Operation unit</b>	
3.1 MDC-5000 series Operation unit (MRO-110)	13
3.2 MDC-5500/7000(P)/7900(P) series Operation unit (MRO-108(P))	15
<b>4. Antenna scanner unit</b>	
4.1 4kW Open antenna scanner unit (RB806)	17
4.2 6kW Open antenna scanner unit (RB807)	21
4.3 12kW Open antenna scanner unit (RB808/808P)	26
4.4 25kW Open antenna scanner unit (RB809/809P)	32
4.5 6kW/12kW Open antenna scanner unit (RB717A/718A)	38
4.6 25kW Open antenna scanner unit (RB719A)	42

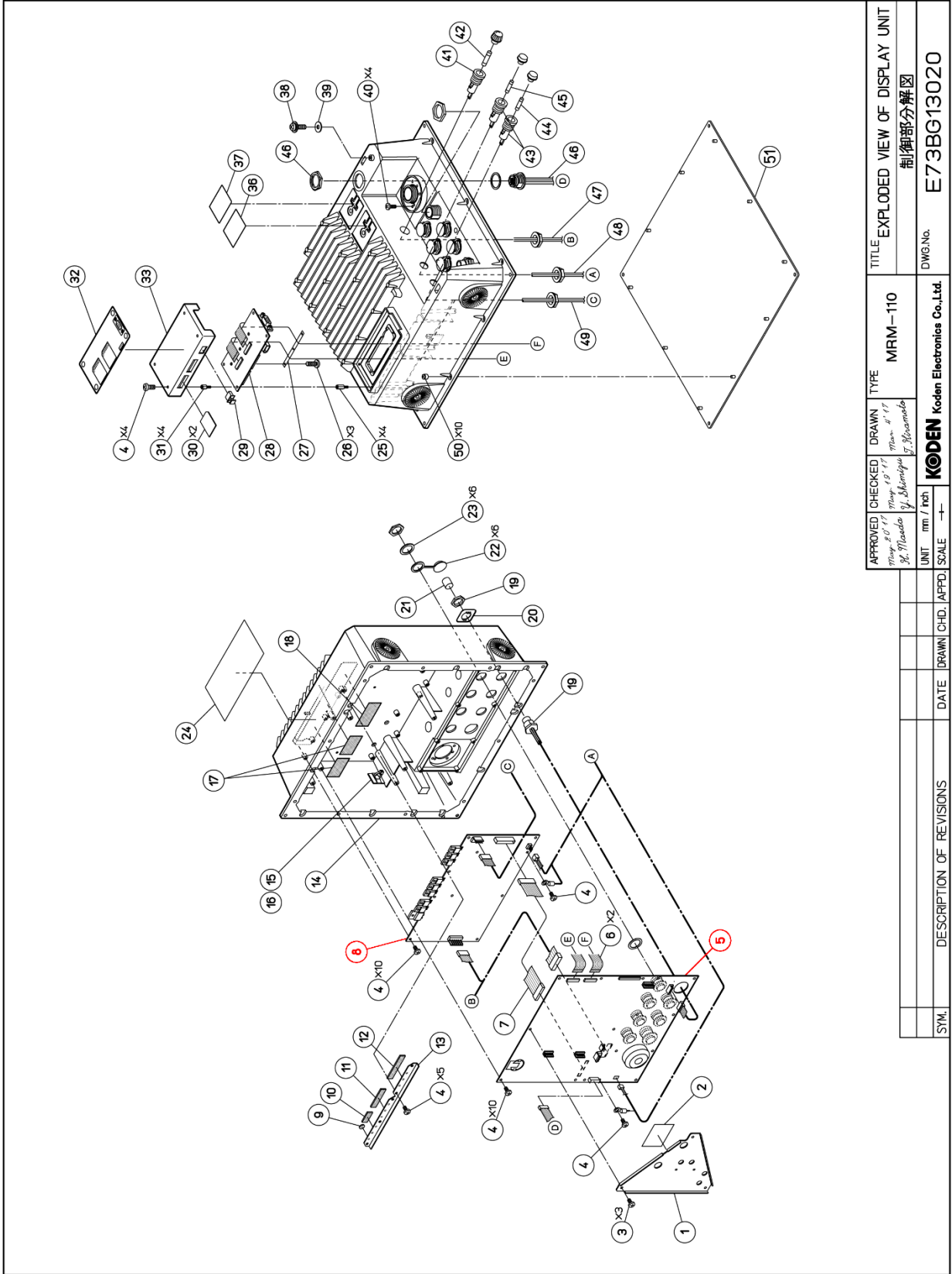
## 1 MDC-5000/5200/5500 series

### 1.1 MDC-5000 series Processor unit (MRM-110)

Ref. Drawing: Exploded view of Processor unit (MRM-110): E73BG130020

No.	Parts Code	Name	Description	Remarks	Price [USD]	
5	0060772230	LOGIC PCB	E63-700A	S/No.11101001 and after	1,091.00	
8	<del>0060772070</del> 0060772410 0060990170	<del>POWER SUPPLY PCB</del> POWER SUPPLY PCB POWER SUPPLY PCB	<del>E63-6000</del> E63-600A E63-600B		302.00	

Exploded view of Processor unit (MRM-110), E73BG13020



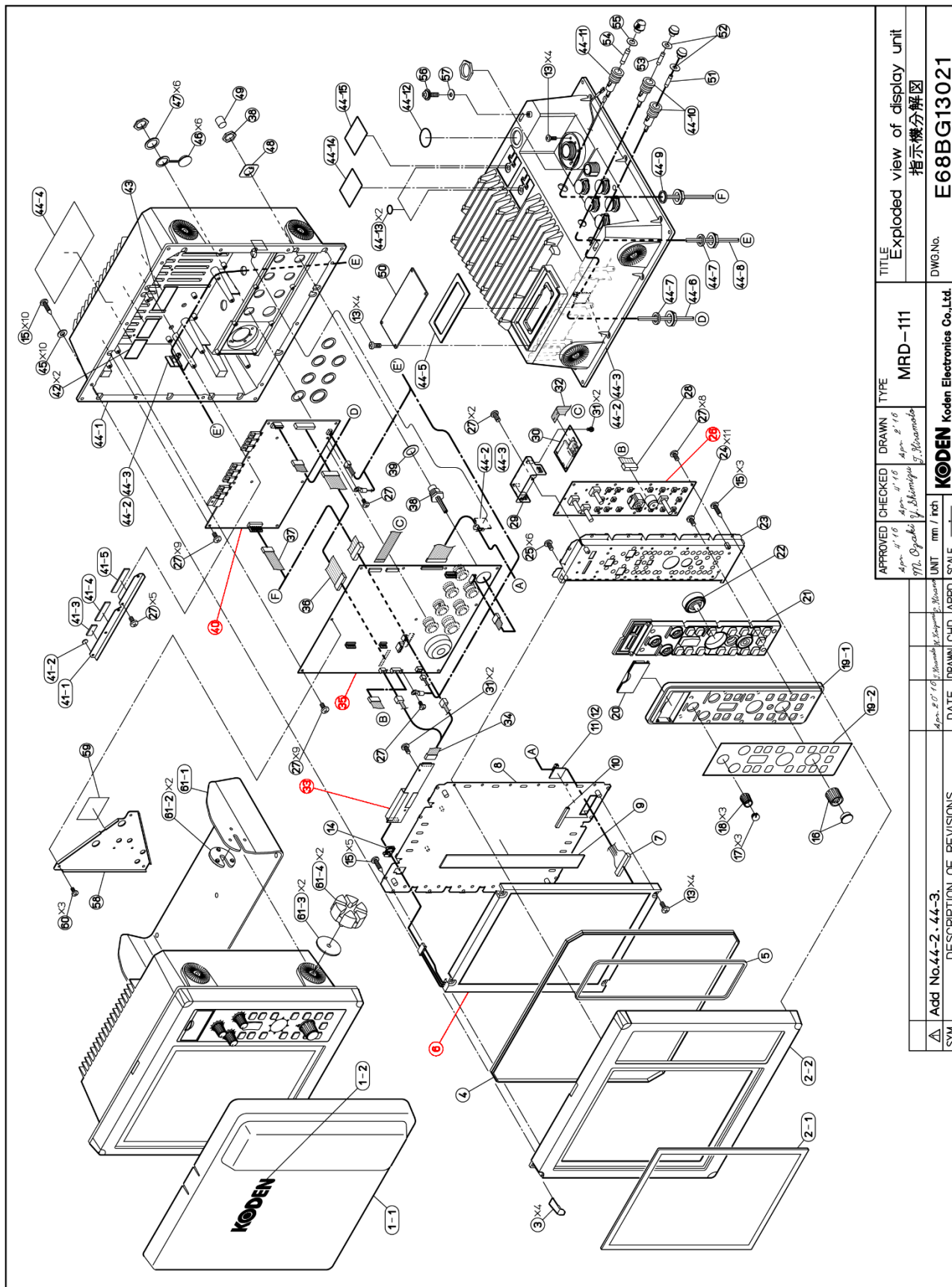
APPROVED	CHECKED	DRAWN	TYPE	TITLE
<i>M. Masuda</i>	<i>M. Masuda</i>	<i>M. Masuda</i>	MRM-110	EXPLODED VIEW OF DISPLAY UNIT
M. Masuda by Masuda Engineering Research				制御部分解図
UNIT	mm / inch	SCALE	DWG.No. E73BG13020	
		—		
SYM.	DESCRIPTION OF REVISIONS	DATE	DRAWN	CHD.

## 1.2 MDC-5200 series Display unit (MRD-111, S/No.11101000 and former)

Ref. Drawing: Exploded view of Display unit (MRD-111): E68BG13021

No.	Parts Code	Name	Description	Remarks	Price [USD]	
35	0060772280	LOGIC PCB	E68-7000	S/No.11101000 and former	1073.00	
40	<del>0060772070</del>	<del>POWER SUPPLY PCB</del>	<del>E63-6000</del>		302.00	
	<del>0060772410</del>	<del>POWER SUPPLY PCB</del>	<del>E63-600A</del>			
	0060990170	POWER SUPPLY PCB	E63-600B			
26	0060772240	Panel PCB	E68-9000		110.00	
33	0060771760	INVERTER PCB	E54-8500	S/No.11101000 and former	51.00	
6	0059543065	LCD module	NL10276BC2 4-13C	S/No.11101000 and former, fluorescent tube backlight type	364.00	

Exploded view of Display unit (MRD-111, S/No.11101000 and former), E68BG13021



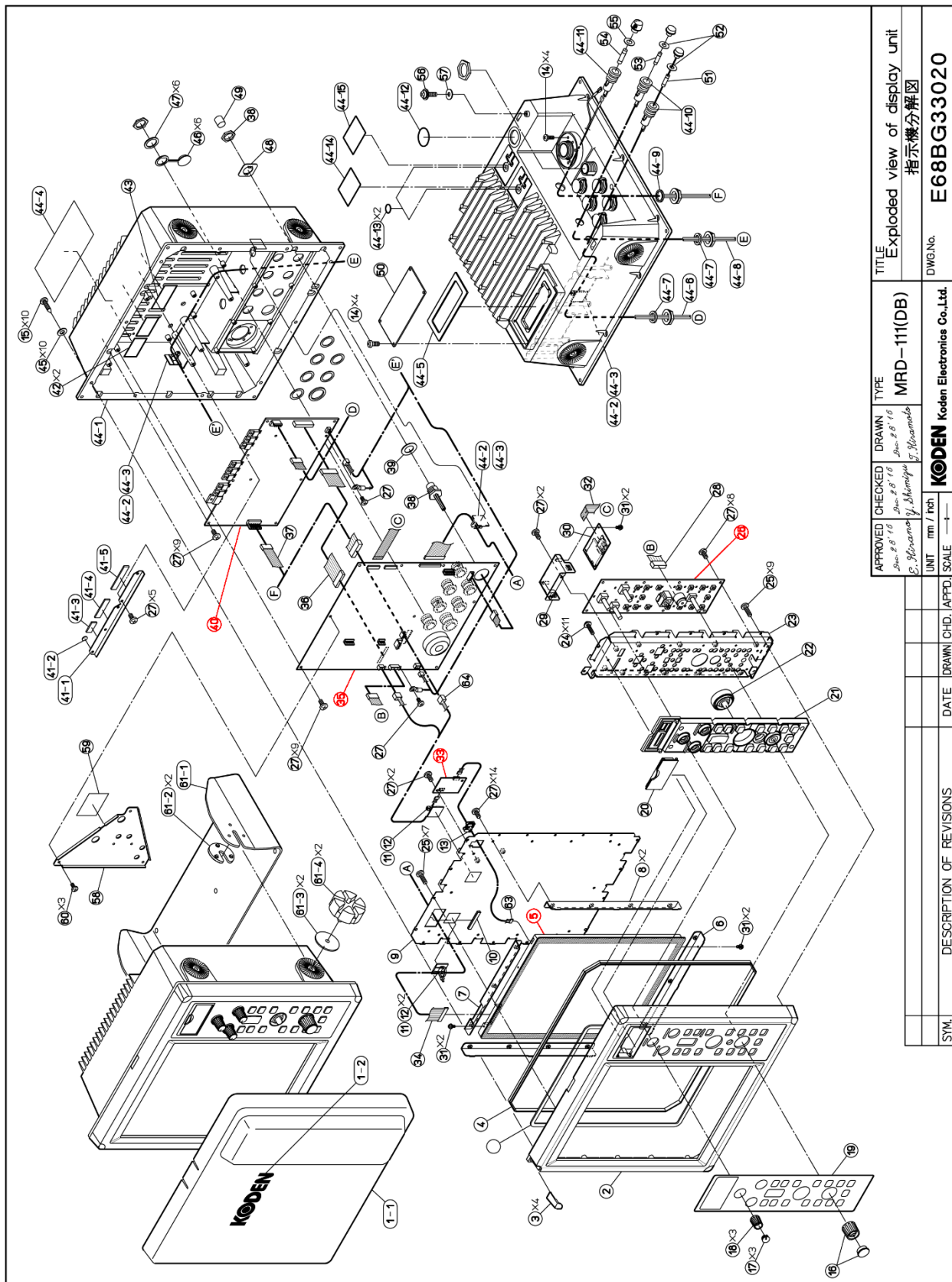
APPROVED		CHECKED	DRAWN	TYPE	TITLE
Apr. 11 '16		Apr. 11 '16	Apr. 2 '16	MRD-111	Exploded view of display unit
M. Oguchi		M. Oguchi	M. Oguchi		指示線分解図
UNIT		mm / inch	KODEN Kodan Electronics Co.,Ltd.		DWG.No. E68BG13021
DATE		DRAWN	CHD.	APPD.	SCALE
Apr. 20 '16					
DESCRIPTION OF REVISIONS					
△	Add No.44-2, 44-3.				
SYM.					

**1.3 MDC-5200 series Display unit (MRD-111, S/No.11101001 and after)**

Ref. Drawing: Exploded view of Display unit(MRD-111): E68BG33020

No.	Parts Code	Name	Description	Remarks	Price [USD]	
35	0060772230	LOGIC PCB	E63-700A	S/No.11101001 and after	1,091.00	
40	<del>0060772070</del> <del>0060772410</del> 0060990170	<del>POWER SUPPLY PCB</del> <del>POWER SUPPLY PCB</del> POWER SUPPLY PCB	<del>E63-6000</del> <del>E63-600A</del> E63-600B		302.00	
26	0060772240	Panel PCB	E68-9000		110.00	
33	0060772400	INVERTER PCB	E68-8000	S/No.11101001 and after	20.00	
5	0050281059	LCD module	NL10276BC2 4-37UC	S/No.11101001 and after, LED backlight type	428.00	

Exploded view of Display unit (MRD-111, S/No.11101000 and former), E68BG33020



APPROVED	CHECKED	DRAWN	TYPE	TITLE
			MRD-111(DB)	Exploded view of display unit
			Rev. 2.0 1/10 Rev. 2.0 1/15 Rev. 2.0 1/15	指示機分解図
			S. Hasegawa / S. Hasegawa / J. Yamamoto	
			UNIT mm / inch	DWG.No.
			SCALE	E68BG33020
			DATE	
			DRAWN	
			CHD.	
			APPD.	
			DESCRIPTION OF REVISIONS	
			SYM.	

KODEN Kodan Electronics Co.,Ltd.

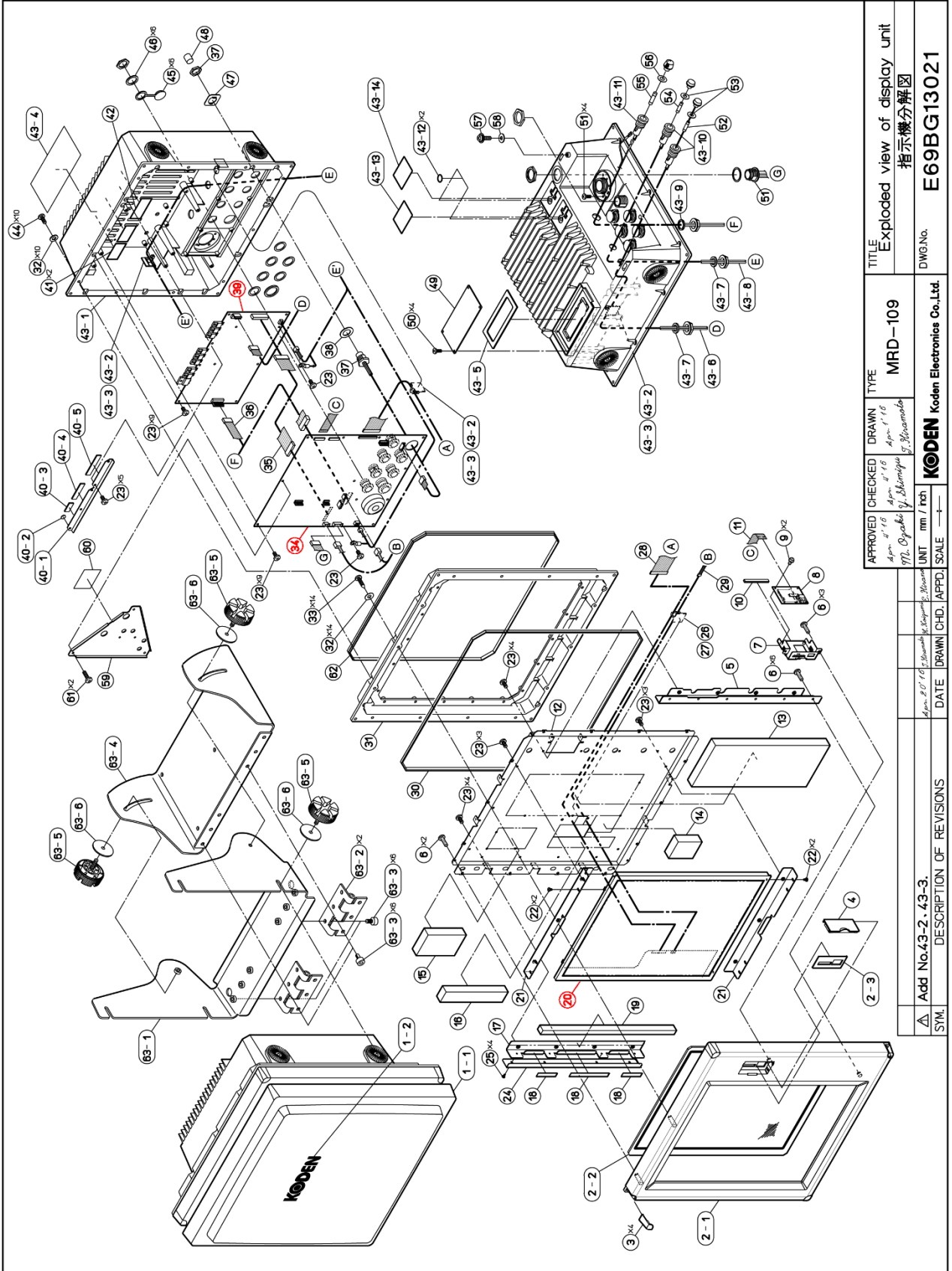


## 1.4 MDC-5500 series Display unit (MRD-109)

Ref. Drawing: Exploded view of Display unit (MRD-109): E69BG13021

No.	Parts Code	Name	Description	Remarks	Price [USD]	
34	0060772230	LOGIC PCB	E63-700A		1,091.00	
39	<del>0060772070</del>	<del>POWER SUPPLY PCB</del>	<del>E63-6000</del>		302.00	
	0060772410	POWER SUPPLY PCB	E63-600A			
	0060990170	POWER SUPPLY PCB	E63-600B			
20	0059543094	LCD module	LQ150X1LX9K		319.00	

Exploded view of Display unit (MRD-109), E69BG13021



SYMBOL	△ Add No.43-2, 43-3	DATE	DRAWN	CHKD.	APPD.	SCALE	UNIT	mm / inch	APPROVED	CHECKED	DRAWN	TYPE	TITLE
										Apr. 11 '16 97L. Ogataki / Y. Shimizu / Y. Yamamoto	Apr. 11 '16	MRD-109	Exploded view of display unit 指示機分解図
DESCRIPTION OF REVISIONS													
DWG.No. E69BG13021													
KODEN Kodens Electronics Co., Ltd.													

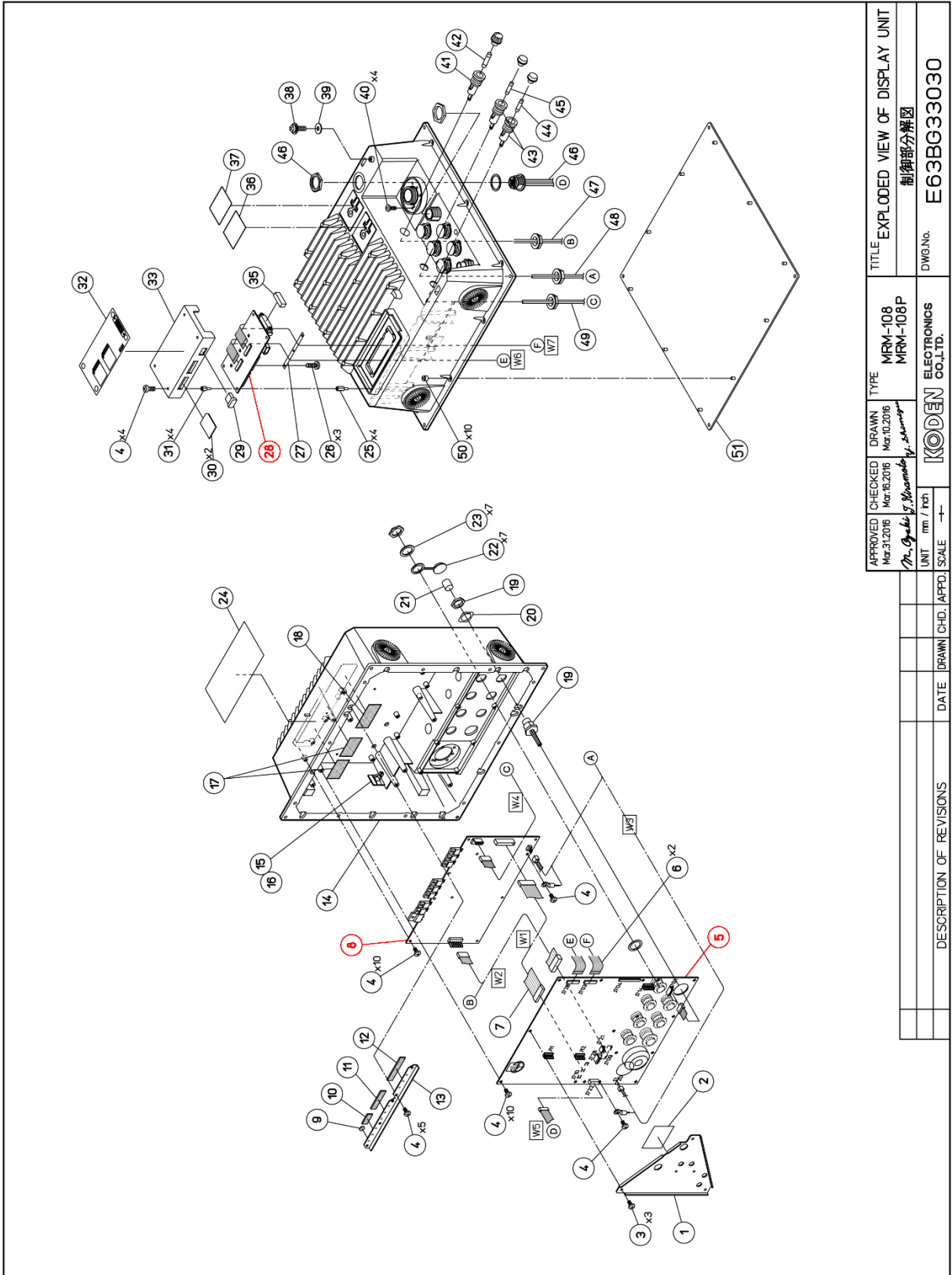
## 2 MDC-7000(P)/7900(P) series

### 2.1 MDC-7000/7000P series Processor unit (MRM-108/108P)

Ref. Drawing: Exploded view of Processor unit (MRM-108/MRM-108P): E63BG33030

No.	Parts Code	Name	Description	Remarks	Price [USD]	
5	0060772230	LOGIC PCB	E63-700A		1,091.00	
8	0060990170	PCB ASSY	E63-600B		302.00	
28	<del>0060772260</del> 0060772450	<del>Rear Card connector PCB</del> Rear Card connector PCB	<del>E63-910B</del> E63-9110	<del>DVI connector</del> VGA connector	49.00	

Exploded view of Processor unit (MRM-108/MRM-108P), E63BG33030



APPROVED	CHECKED	DRAWN	TYPE	TITLE	
Mr. G. S. Shimada	Mr. G. S. Shimada	Mr. G. S. Shimada	MRM-108 MRM-108P	EXPLODED VIEW OF DISPLAY UNIT	
Mar.31.2016	Mar.16.2016	Mar.10.2016		制御部分分解図	
UNIT	mm / inch	SCALE	KODEN ELECTRONICS CO.,LTD.	DWG.No.	E63BG33030

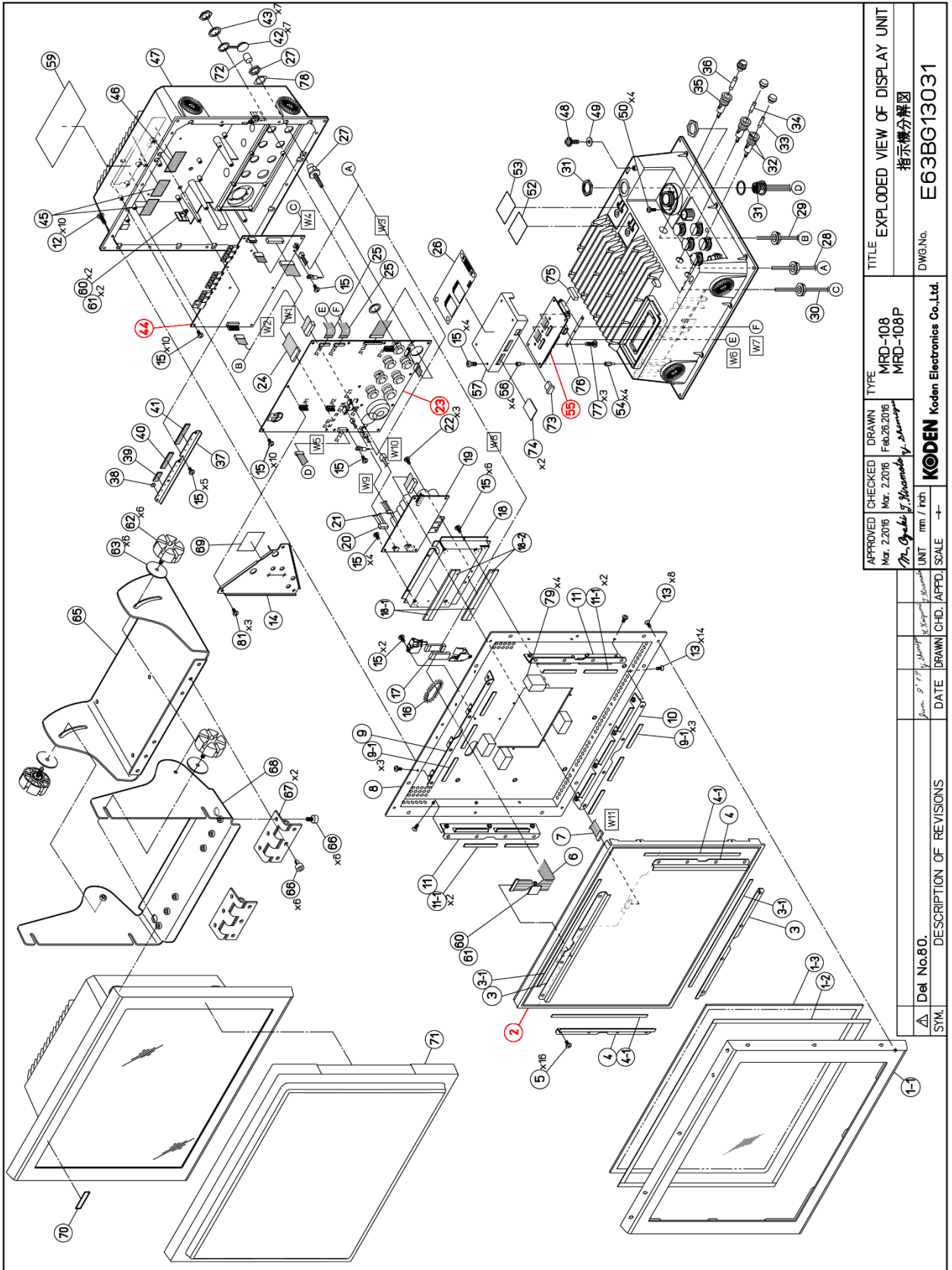
DESCRIPTION OF REVISIONS		DATE	DRAWN	CHD.	APPD.

## 2.2 MDC-7900/7900P series Display unit (MRD-108/108P)

Ref. Drawing: Exploded view of Display unit (MRD-108/MRD-108P): E63BG13031

No.	Parts Code	Name	Description	Remarks	Price [USD]	
23	0060772230	LOGIC PCB	E63-700A		1,091.00	
44	0060990170	PCB ASSY	E63-600B		302.00	
55	<del>0060772260</del>	<del>Rear Card connector PCB</del>	<del>E63-910B</del>	<del>DVI connector</del>	49.00	
	0060772450	Rear Card connector PCB	E63-9110	VGA connector		
2	0050281049	LCD	G190EG02 V1		464.00	

Exploded view of Display unit (MRD-108/MRD-108P), E63BG13031



APPROVED		CHECKED	DRAWN	TYPE	TITLE	
Mar. 2, 2016		Mar. 2, 2016	Feb. 26, 2016	MRD-108 MRD-108P	EXPLODED VIEW OF DISPLAY UNIT	
		Mr. Yoshio Yamamoto		指示機分解図		
UNIT		mm / inch	SCALE		DWG.No.	
DATE		DRAWN	CHD.	APFD.	E63BG13031	
DESCRIPTION OF REVISIONS		KODEN Kodens Electronics Co., Ltd.				
SYM.						

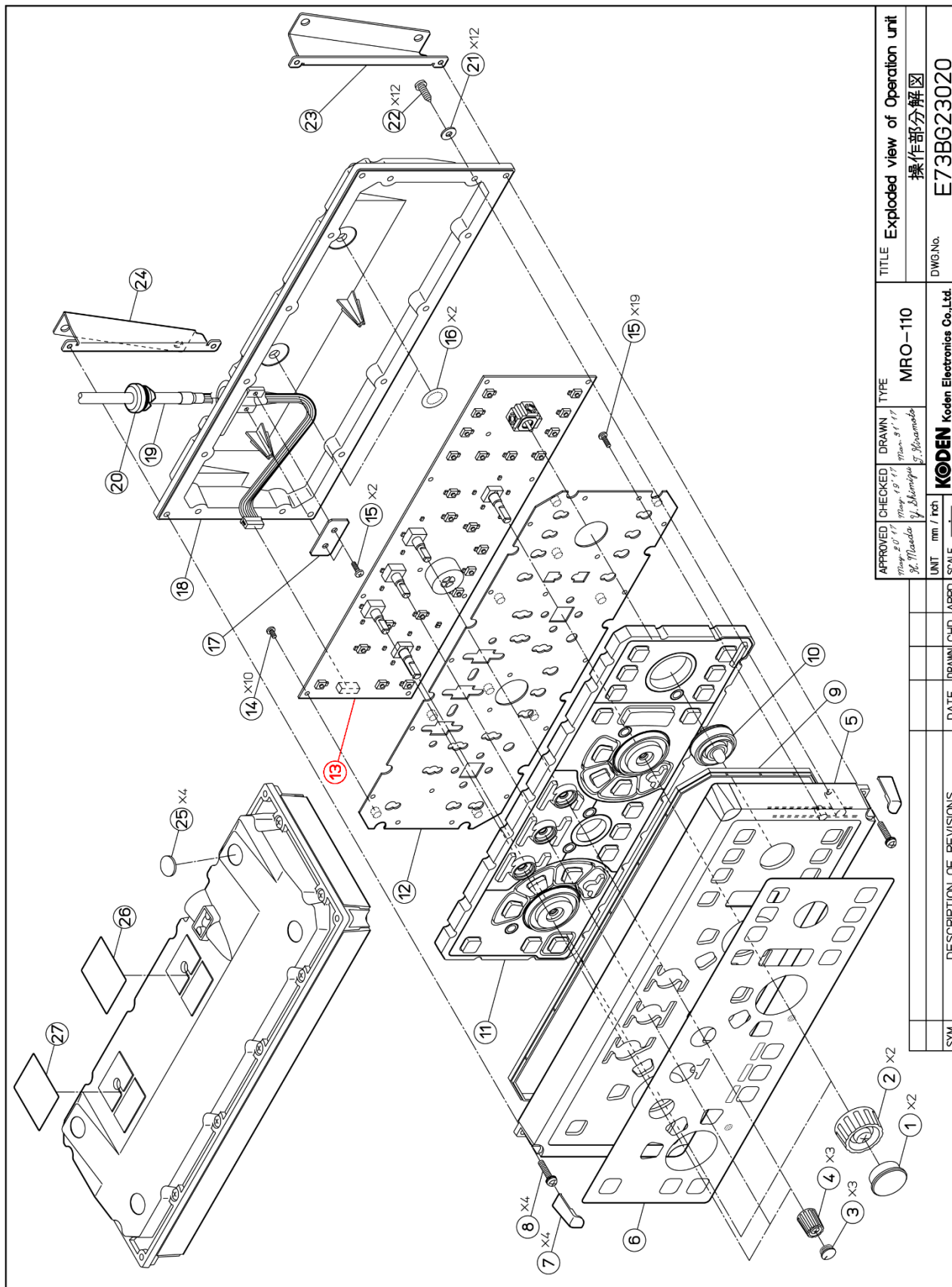
### 3 Operation unit

#### 3.1 MDC-5000 series Operation unit (MRO-110)

Ref. Drawing: Exploded view of Operation unit (MRO-110): E73BG23020

No.	Parts Code	Name	Description	Remarks	Price [USD]	
13	0060772430	PANEL PCB	E73-9000		160.00	

Exploded view of Operation unit (MRO-110), E73BG23020



APPROVED	CHECKED	DRAWN	TYPE	TITLE
May. 2011	May. 19 11	May. 19 11	MRO-110	Exploded view of Operation unit
Y. Maeda	Y. Shimizu	Y. Yamada		操作部分分解図
UNIT	mm / inch	SCALE		DWG.No. E73BG23020
				KODEN Kodens Electronics Co.,Ltd.
SYMBOL	DESCRIPTION OF REVISIONS	DATE	DRAWN	CHD.

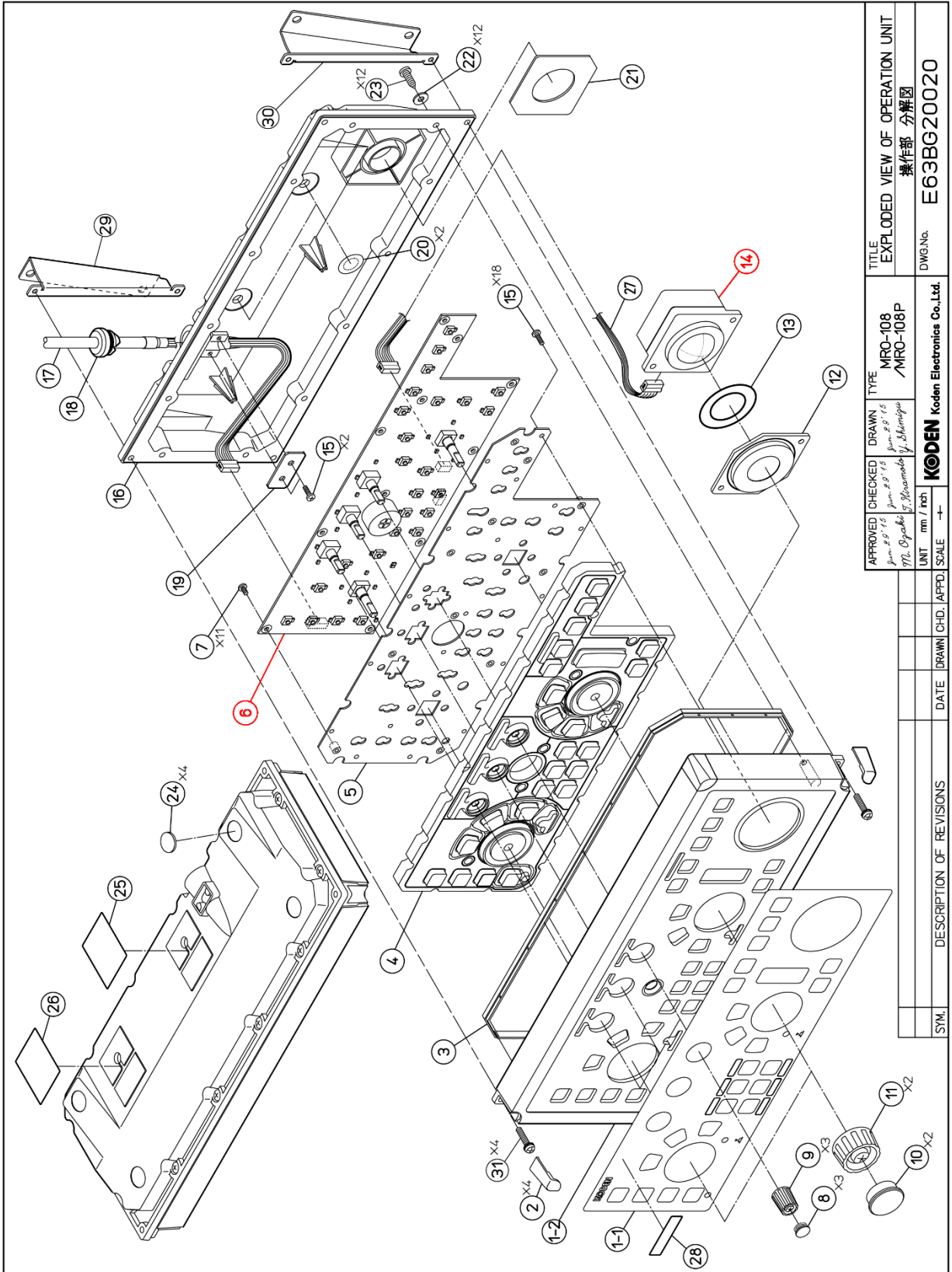


**3.2 MDC-5500/7000(P)/7900(P) series Operation unit (MRO-108(P))**

Ref. Drawing: Exploded view of Operation unit (MRO-108/MRO-108P): E63BG20020

No.	Parts Code	Name	Description	Remarks	Price [USD]	
6	0060772100	PANEL PCB	E63-900A		130.00	
14	0059502052	TRACKBALL	TRD-101S(FB)K		137.00	

Exploded view of Operation unit (MRO-108/MRO-108P), E63BG20020



APPROVED	CHECKED	DRAWN	TYPE	TITLE	
Jun. 28 '15	Jun. 29 '15	Jun. 28 '15	MRO-108 /MRO-108P	EXPLODED VIEW OF OPERATION UNIT	
M. Oguchi / M. Yamada / Y. Shimizu				操作部 分解図	
UNIT	mm / inch	SCALE	DWG.No. E63BG20020		
		1:1	KODEN Koden Electronics Co.,Ltd.		
SYMBOL		DATE	DRAWN	CHD.	APPD.
DESCRIPTION OF REVISIONS					

## 4 Antenna scanner unit

### 4.1 4kW Open antenna scanner unit (RB806)

Ref. Drawing: Exploded view of Antenna scanner unit (RB806): 23W73461 Version 03

No.	Parts Code	Name	Description	Remarks	Price [USD]
A0005	0030050001	TR UNIT [RB716A]	229U31024B	For RB716A (MRD-104)	1,093.00
	0030050029	TR UNIT [4 kW]	RB806-TR	For RB806 (MRD-104A)	923.00

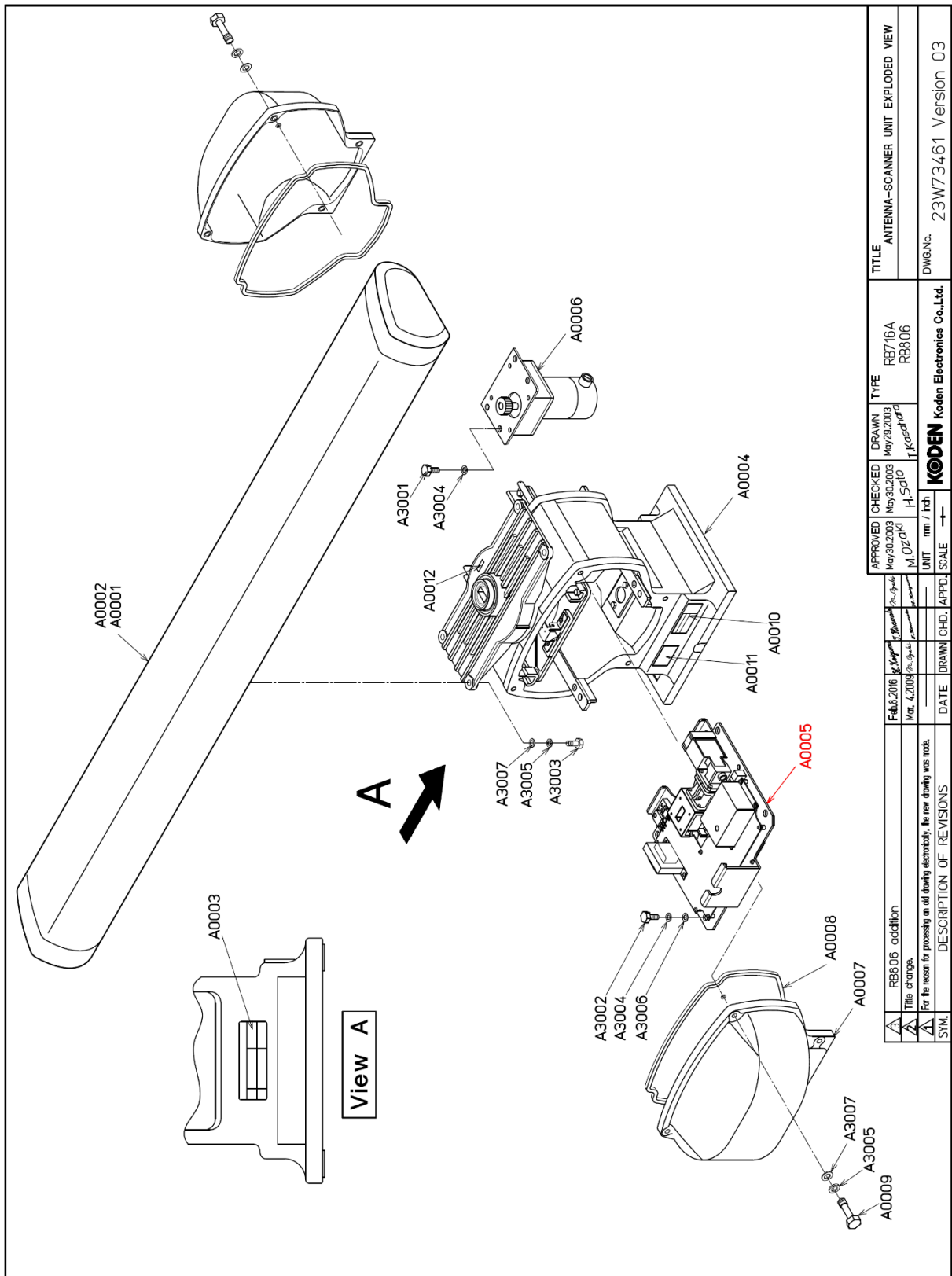
Ref. Drawing: Exploded view of TR-unit (RB805/ 806): E38BG50100

No.	Parts Code	Name	Description	Remarks	Price [USD]
A1	<del>0060771540</del>	<del>MODULATOR PCB [4kW]</del>	<del>E38-1300</del>	Switch with Dip-SW for RB716A/RB806  For RB806	370.00
	<del>0060771710</del>	<del>MODULATOR PCB [4kW]</del>	<del>E38-130A</del>		
	<del>0060710560</del>	<del>MODULATOR PCB [4kW]</del>	<del>E38-130B</del>		
	<del>0060710560</del>	<del>MODULATOR PCB [4kW]</del>	<del>E38-130CA</del>		
	0060772790	PCB ASSY	E38-130CB		
A2	0030050070	FRONT END MODULE	NJT1949A		97.00
V1	0030050051	MAGNETRON [4kW]	MAF1421B	For RB716A (MRD-104)	197.00
	0030050051	MAGNETRON [4kW]	MAF1421BY	For RB806 (MRD-104A)	197.00
U2	0050351107	LIMITER DIODE	NJS6930		62.00
W1	0058330333	CIRCULATOR	NJC3901D		52.00

Ref. Drawing: Exploded view of Drive unit (RB806/807/716A/717A/718A/719A/718BP/719BP): E48BG10133

No.	Parts Code	Name	Description	Remarks	Price [USD]
1	0062703175	DC Motor with pinion gear	239H53917B		373.00
1-8	0056280012	MOTOR BRUSH	24Z125209		4.00
3	0030050034	AZI.PULSE UNIT	249U155426-04		20.00

Exploded view of Antenna scanner unit (RB716A/806): 23W73461 Version 03

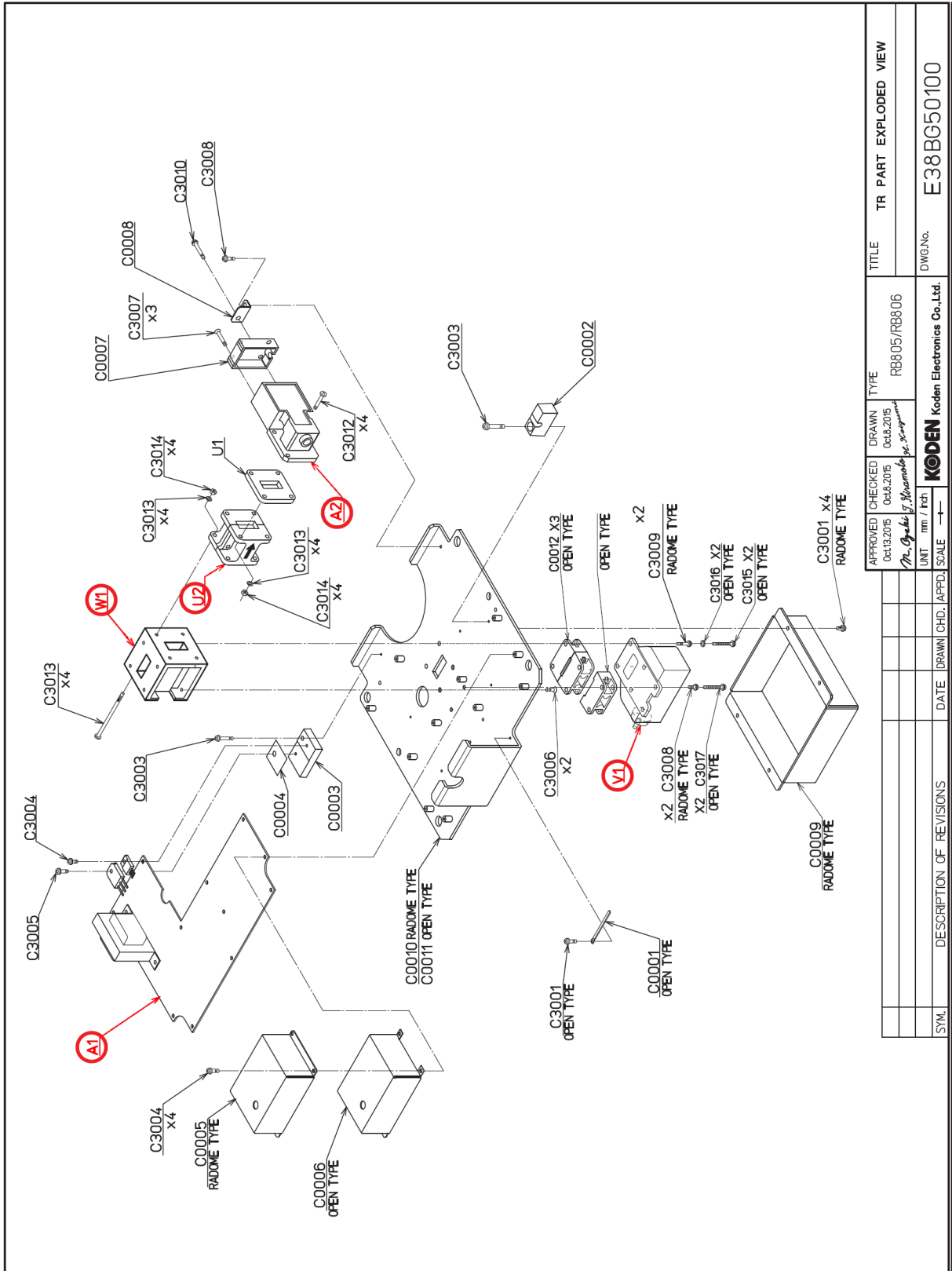


APPROVED	CHECKED	DRAWN	TYPE	TITLE
May 30, 2003	May 30, 2003	May 30, 2003	RB716A RB806	ANTENNA-SCANNER UNIT EXPLODED VIEW
NT, OZ, CH, I, K, S, CH, P, H, L, S, G, I, D	NT, OZ, CH, I, K, S, CH, P, H, L, S, G, I, D	NT, OZ, CH, I, K, S, CH, P, H, L, S, G, I, D		DWG.No. 23W73461 Version 03
UNIT	mm / inch	mm / inch		
DATE	DRAWN	CHKD.	APPD.	SCALE
Feb 2, 2016				
Mar 4, 2008				
DESCRIPTION OF REVISIONS				
SYM.				

RB806 addition  
Title changes  
For the reason for processing on old drawing was work.

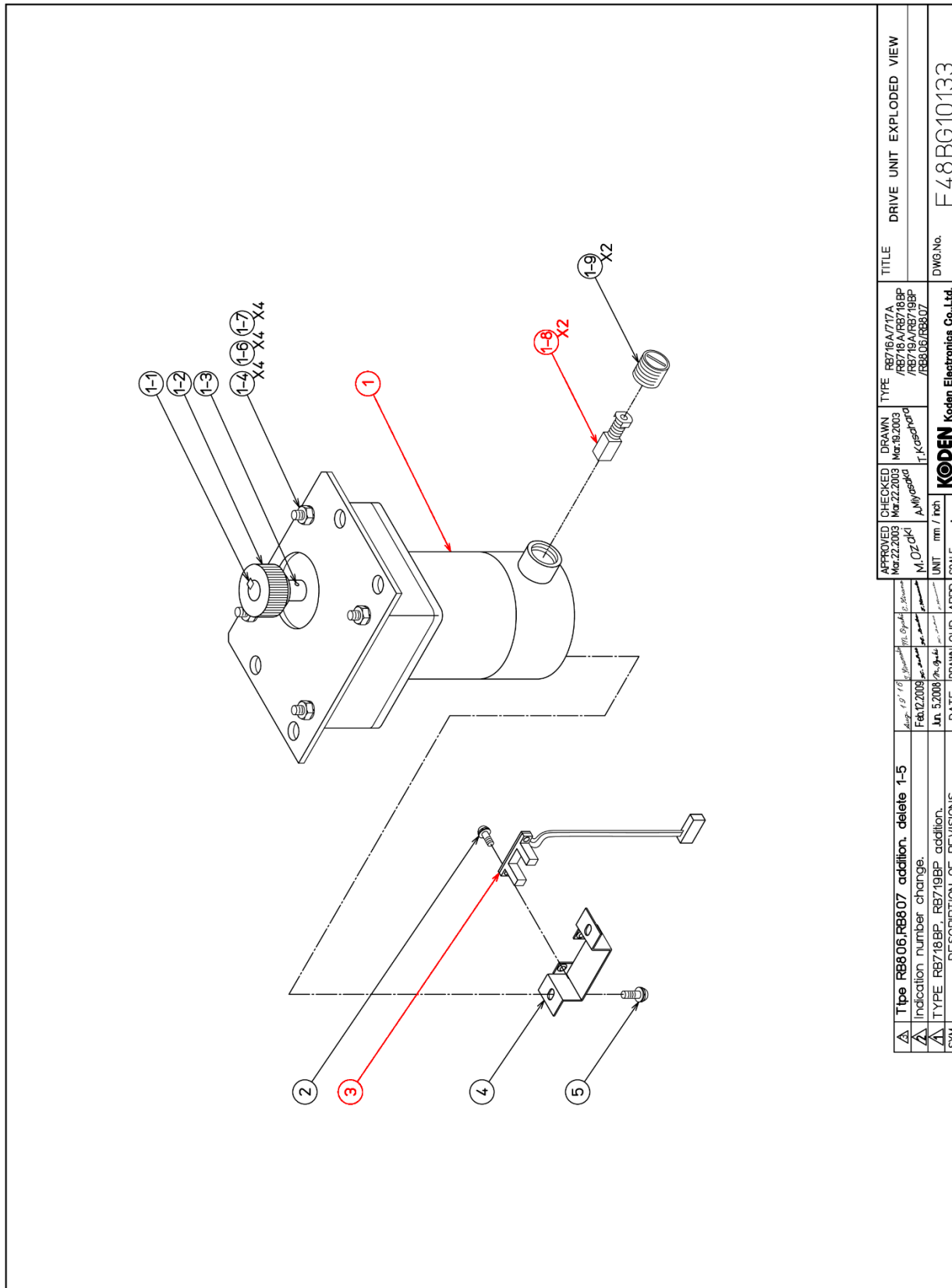
**KODEN** Koden Electronics Co., Ltd.

Exploded view of TR-unit (RB805//RB806): E38BG50100



APPROVED		CHECKED	DRAWN	TYPE	TITLE	TR PART EXPLODED VIEW
Oct.13,2015		Oct.13,2015	Oct.13,2015	RB805/RB806		
Mr. Gopal K. Sharma						
UNIT		mm / Inch	SCALE			
DRAWN		CHD.	APPD.			
DATE		DESCRIPTION OF REVISIONS				
SYM.		DATE				
		DRAWN				
		CHD.				
		APPD.				
		SCALE				
		UNIT				
		mm / Inch				
		TYPE				
		RB805/RB806				
		TITTLE		TR PART EXPLODED VIEW		
		DWG.No.		E38BG50100		

Exploded view of Drive unit (RB806/807/716A/717A/718A/719A/718BP719BP): E48BG10133



APPROVED	CHECKED	DRAWN	TYPE	TITLE
Mar.22.2009	Mar.22.2009	Mar.18.2003	RB716A/717A /RB716A/RB718BP /RB716A/RB719BP	DRIVE UNIT EXPLODED VIEW
M.DZ/dkl	A.Miyaguchi	T.Kogechi	/RB806/RB807	DWG.No.
			<b>KODEN</b> Koden Electronics Co.,Ltd.	E48BG10133
UNIT	mm / inch	SCALE		
DATE	DATE	DATE	DATE	DATE
Jan. 5.2009	Jan. 5.2009	Jan. 5.2009	Jan. 5.2009	Jan. 5.2009
DESCRIPTION OF REVISIONS	DESCRIPTION OF REVISIONS	DESCRIPTION OF REVISIONS	DESCRIPTION OF REVISIONS	DESCRIPTION OF REVISIONS
SYM.	SYM.	SYM.	SYM.	SYM.
Δ	Δ	Δ	Δ	Δ
Type RB806,RB807 addition, delete 1-5	Indication number change.	Type RB716BP, RB719BP addition.		

## 4.2 6kW Open antenna scanner unit (RB807)

Ref. Drawing: Exploded view of Antenna scanner unit (RB807): E71BG10100

No.	Parts Code	Name	Description	Remarks	Price [USD]	
13	0030050033	TR UNIT [6 kW]	RB807-TR unit		2,182.00	

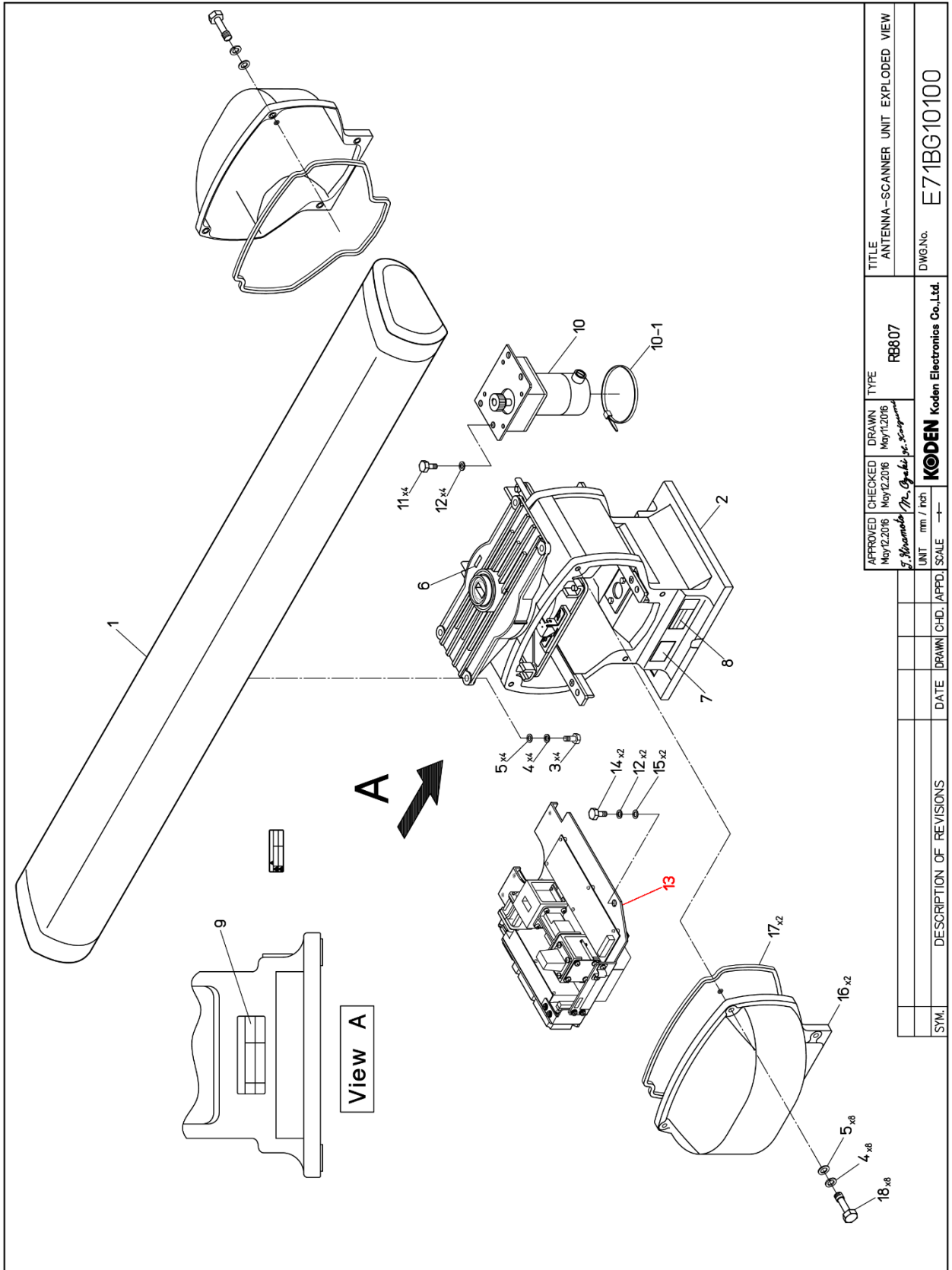
Ref. Drawing: Exploded view of TR-unit (RB807/808/808P): E61MH20000

No.	Parts Code	Name	Description	Remarks	Price [USD]	
31	0060772270	MODULATOR PCB [6kW]	E71-1100		556.00	
15	0030050031	RF MODULE	RFM-100		619.00	
23	0058670016	MAGNETRON [6kW]	MAF1562R			
	0030050053	MAGNETRON [6kW]	MAF1562R		328.00	
3	0060772160	PCB ASSY	E61-120A		192.00	
13	0050351107	DIORD LIMITER	NJS6930		62.00	
11	0058330331	CIRCULATOR	FCX68R		52.00	

Ref. Drawing: Exploded view of Drive unit (RB806/807/716A/717A/718A/719A/718BP/719BP): E48BG10133

No.	Parts Code	Name	Description	Remarks	Price [USD]	
1	0062703175	DC Motor with pinion gear	239H53917B		373.00	
1-8	0056280012	MOTOR BRUSH	24Z125209		4.00	
3	0030050034	AZI.PULSE UNIT	249U155426-04		20.00	

Exploded view of Antenna scanner unit (RB807): E71BG10100

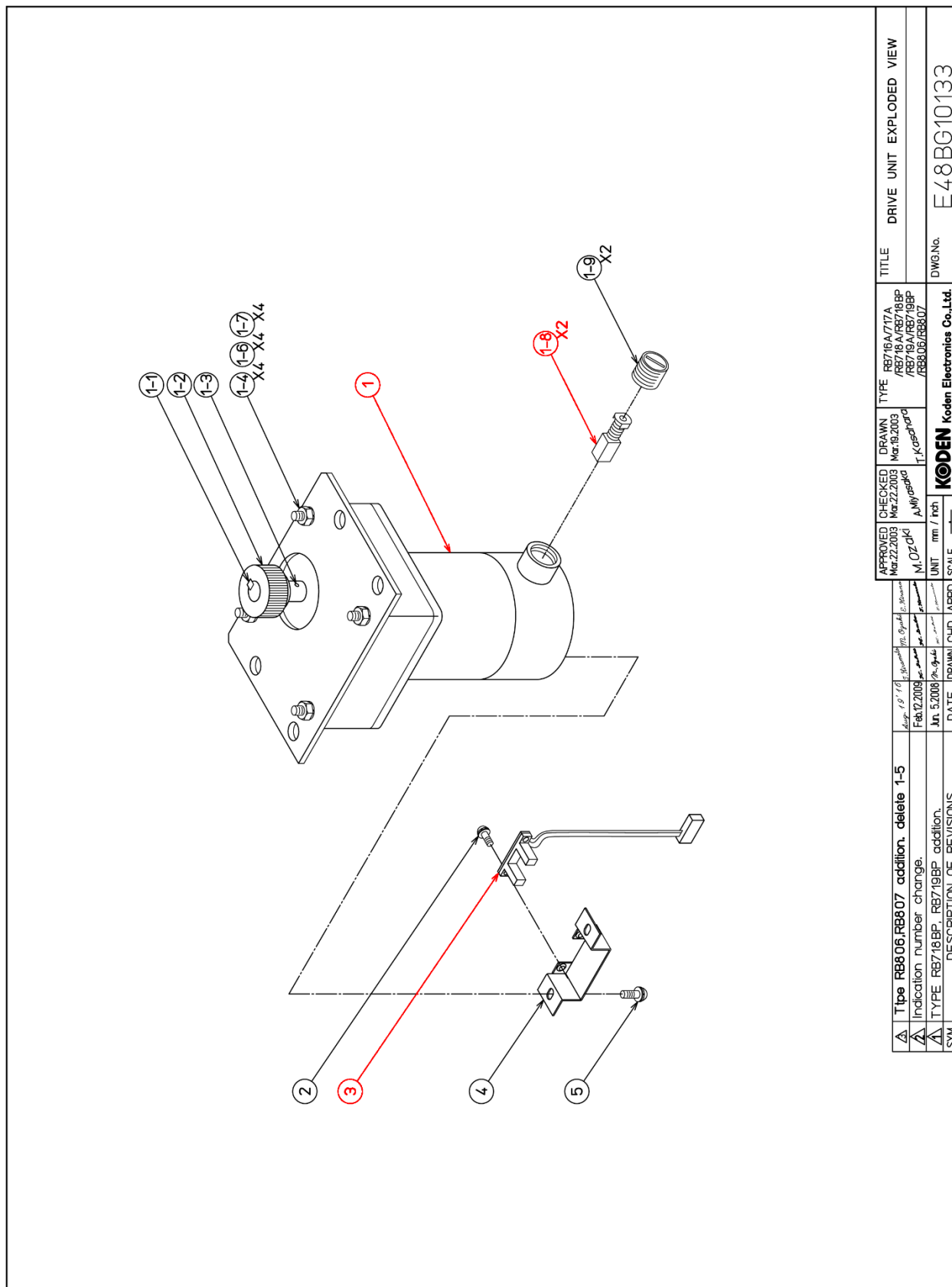


APPROVED	CHECKED	DRAWN	TYPE	TITLE
May12,2016	May12,2016	May11,2016	RB807	ANTENNA-SCANNER UNIT EXPLODED VIEW
5. Yamamoto Mr. Oguchi Mr. Sakamoto UNIT mm / Inch SCALE →				DWG.No. E71BG10100
<b>KODEN</b> Koden Electronics Co.,Ltd.				
SYM.	DESCRIPTION OF REVISIONS	DATE	DRAWN/CHD./APPD.	SCALE





Exploded view of Drive unit (RB806/807/716A/717A/718A/719A/718BP/719BP): E48BG10133



### 4.3 12kW Open antenna scanner unit (RB808/808P)

Ref. Drawing: Exploded view of Antenna scanner unit (RB808): E61BG10140

No.	Parts Code	Name	Description	Remarks	Price [USD]	
13	0030050030	TR UNIT [12 kW]	RB808-TR unit		2,228.00	

Ref. Drawing: Exploded view of Antenna scanner unit (RB808P): E61BG10100

No.	Parts Code	Name	Description	Remarks	Price [USD]	
13	0030050030	TR UNIT [12 kW]	RB808-TR unit		2,228.00	

Ref. Drawing: Exploded view of TR-unit (RB808/808P): E61BG10130

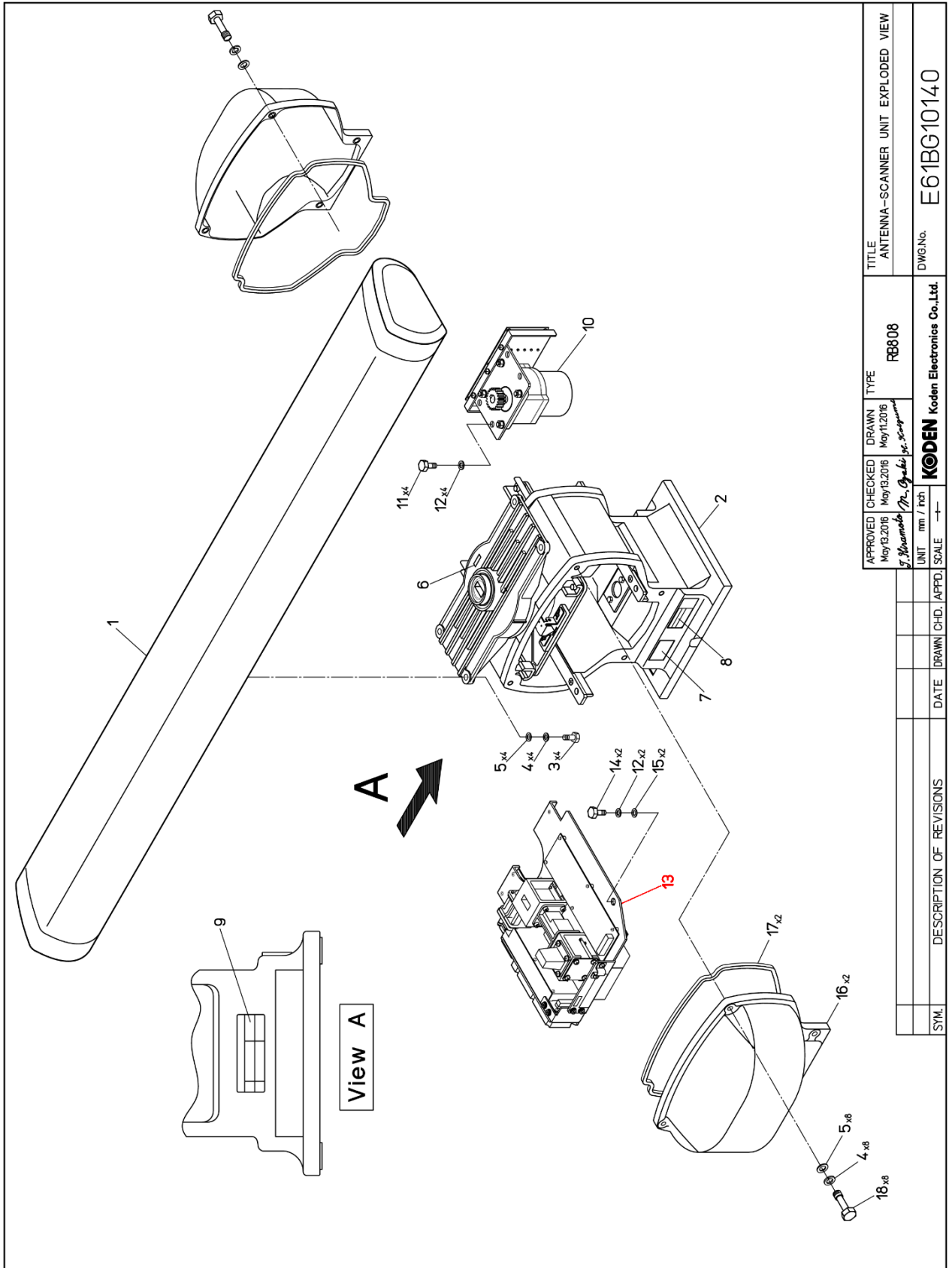
No.	Parts Code	Name	Description	Remarks	Price [USD]	
7	0030050031	RFM MODULE	RFM-100		619.00	
10	0058330331	CIRCULATOR	FCX68R		52.00	
8	0050351107	DIORD LIMITER	NJS6930		62.00	
3	0060772160	PCB ASSY	E61-120A		192.00	
2	0060772110	PCB ASSY [12kW]	E61-110A		523.00	
14	0030050055	MAGNETRON [12kW]	MAF1565N		350.00	

Ref. Drawing: Exploded view of Drive unit (RB808/808P/809/809P): E61BG10120

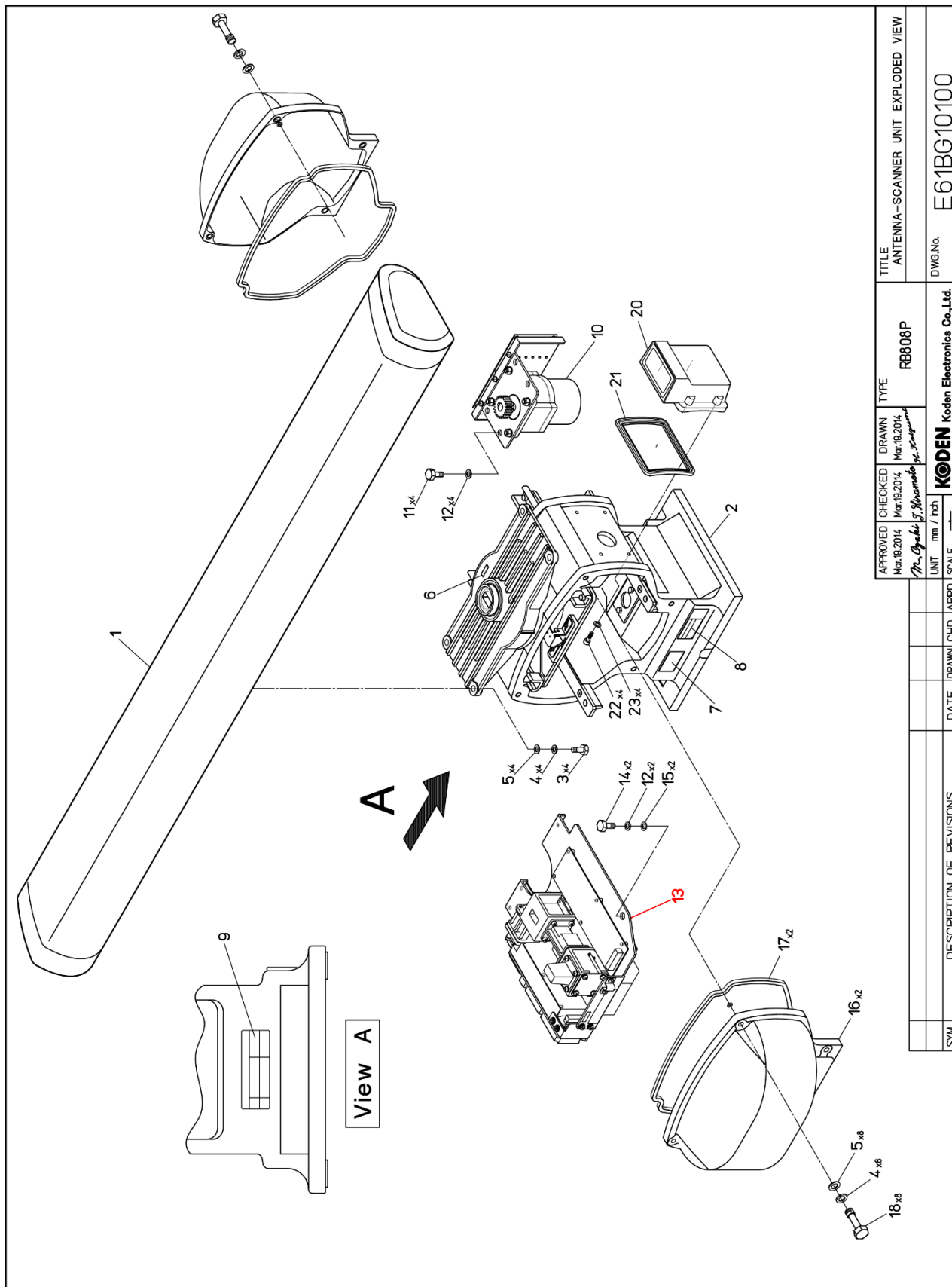
No.	Parts Code	Name	Description	Remarks	Price [USD]	
4	0060772140	PCB ASSY	E61-500A		140.00	

No.	Parts Code	Name	Description	Remarks	Price [USD]	
1 2 7 8 9 10	0062706003	DC BLUSHLESS MOTOR	E38MG50120		357.00	

Exploded view of Antenna scanner unit (RB808): E61BG10140

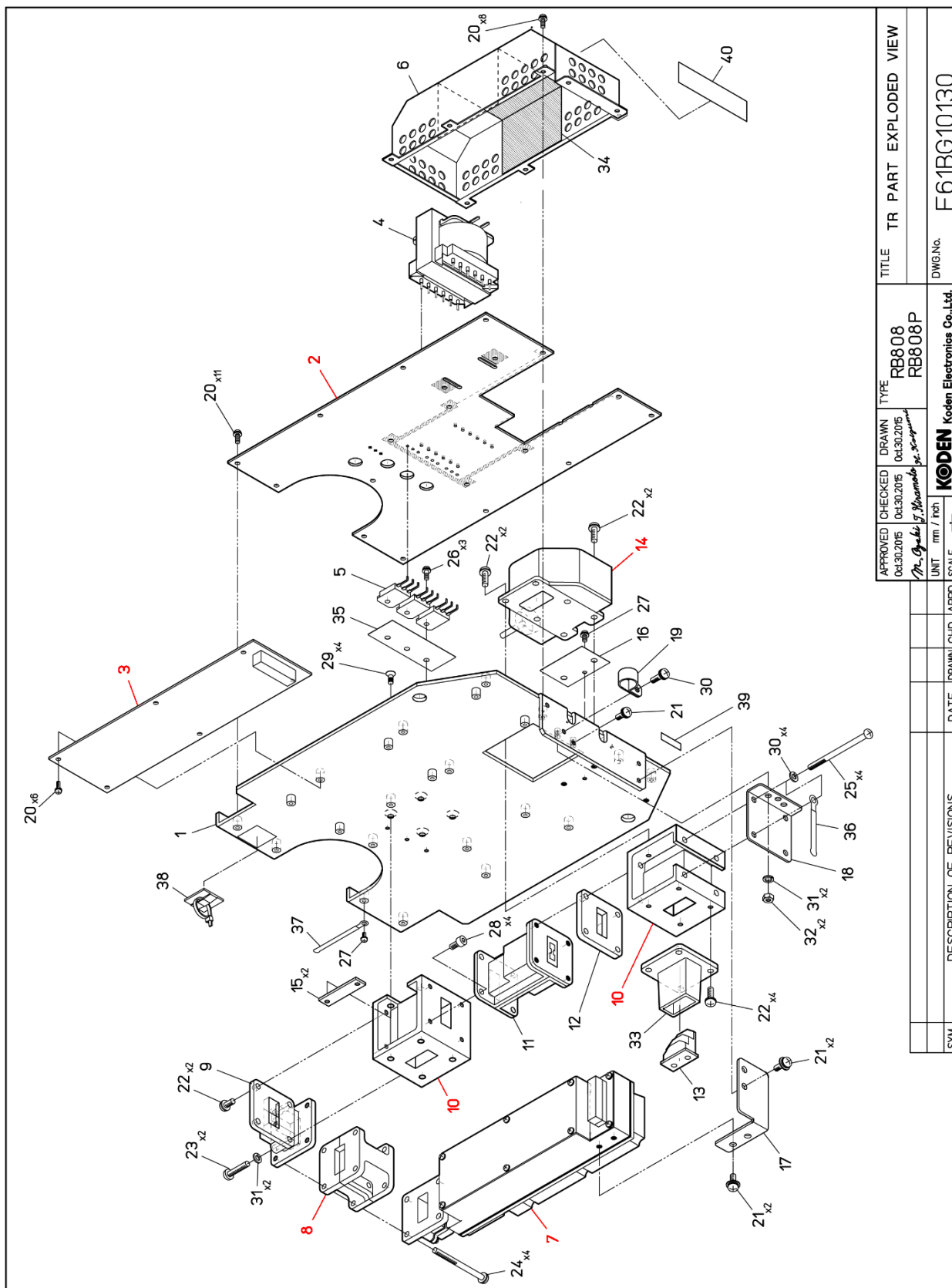


Exploded view of Antenna scanner unit (RB808P): E61BG10100



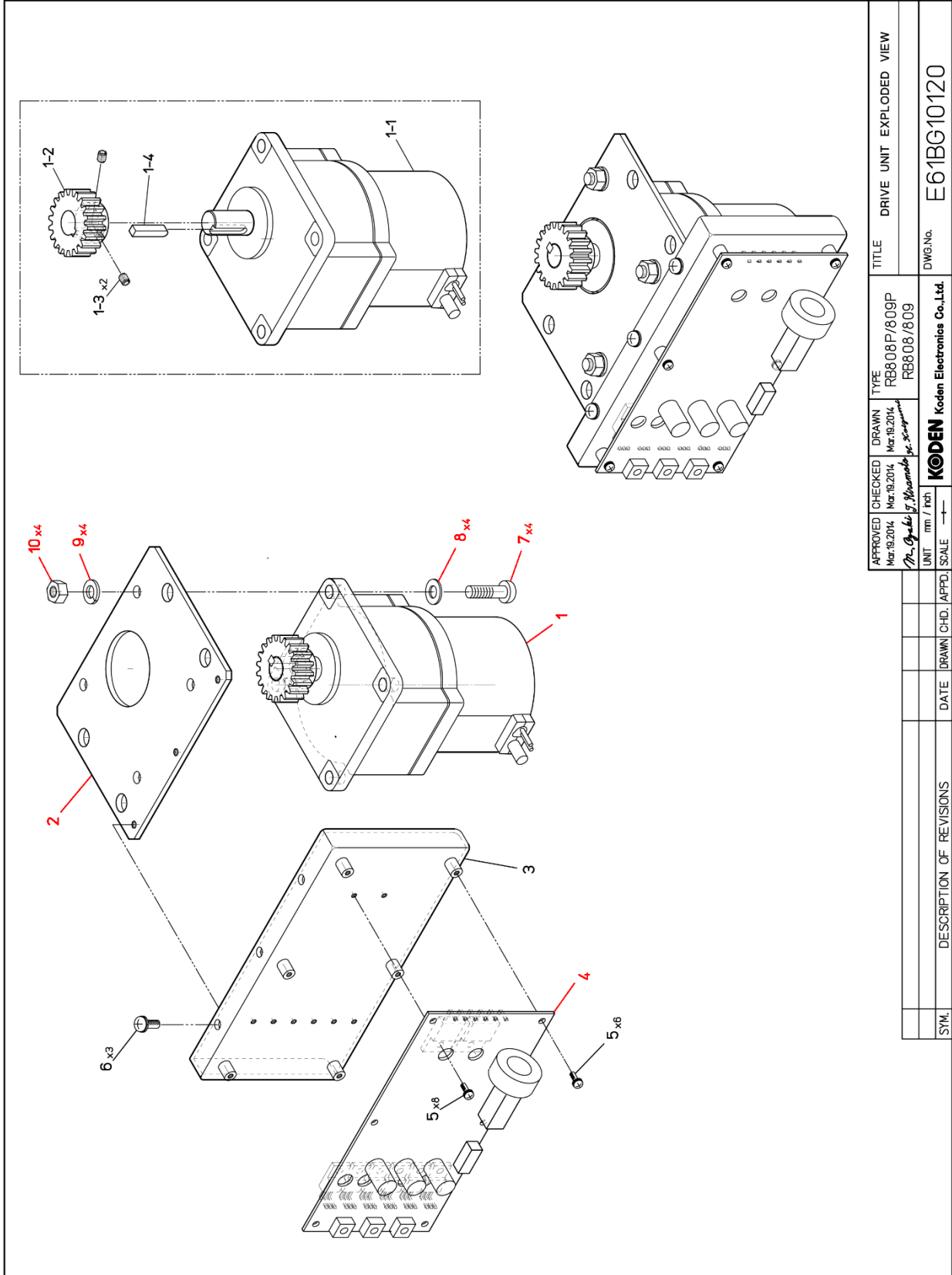
APPROVED	CHECKED	DRAWN	TYPE	TITLE
Mar.18.2014	Mar.18.2014	Mar.18.2014	RB808P	ANTENNA-SCANNER UNIT EXPLODED VIEW
The Official of Yamato Iy. Saitama				
UNIT	mm / inch	APPD.	SCALE	DWG.No.
	—		—	E61BG10100
<b>KODEN</b> Koden Electronics Co.,Ltd.				
SYM.	DESCRIPTION OF REVISIONS	DATE	DRAWN	CHD.

Exploded view of TR-unit (RB808/808P): E61BG10130



APPROVED	CHECKED	DRAWN	TYPE	TITLE	
Oct.30.2015	Oct.30.2015	Oct.30.2015	RB808 RB808P	TR PART EXPLODED VIEW	
<i>Dr. Shobko G. Shamsadeh psc. sc. sp. sc. sp. sc. sp.</i>				DWG.No. E61BG10130	
<b>KODEN</b> Kodan Electronics Co.,Ltd.					
UNIT	mm / inch	SCALE			
		1:1			
SYMBOL		DATE	DRAWN	CHD.	APPD.
DESCRIPTION OF REVISIONS					

Exploded view of Drive unit (RB808/808P/809/809P): E61BG10120



APPROVED	CHECKED	DRAWN	TYPE	TITLE
Mar.19.2014	Mar.19.2014	Mar.19.2014	RB808P/809P	DRIVE UNIT EXPLODED VIEW
Mr. Oyedele G. Oluwalana, per. Sr. Engineer			RB808/809	
UNIT			mm / inch	DWG.No.
SCALE				E61BG10120
DESCRIPTION OF REVISIONS				
SYM.	DATE	DRAWN	CHD.	APPD.

#### 4.4 25kW Open antenna scanner unit (RB809/809P)

Ref. Drawing: Exploded view of Antenna scanner unit (RB809): E62BG10140

No.	Parts Code	Name	Description	Remarks	Price [USD]	
13	0030050027	TR UNIT [25 kW]	RB809-TR unit		3,064.00	

Ref. Drawing: Exploded view of Antenna scanner unit (RB808P): E62BG10100

No.	Parts Code	Name	Description	Remarks	Price [USD]	
13	0030050027	TR UNIT [25 kW]	RB809-TR unit		3,064.00	

Ref. Drawing: Exploded view of TR-unit (RB809/809P): E62BG10130

No.	Parts Code	Name	Description	Remarks	Price [USD]	
7	0030050031	RFM MODULE	RFM-100		619.00	
10	0058330331	CIRCULATOR	FCX68R		52.00	
8	0050351107	DIORD LIMITER	NJS6930		62.00	
3	0060772160	PCB ASSY	E61-120A		192.00	
2	0060772150	PCB ASSY [25kW]	E62-110A		496.00	
14	0030050057	MAGNETRON [25kW]	M1568BS		754.00	
4	0030050061	PLUSE TRANSFORMER	KCT-374C		260.00	

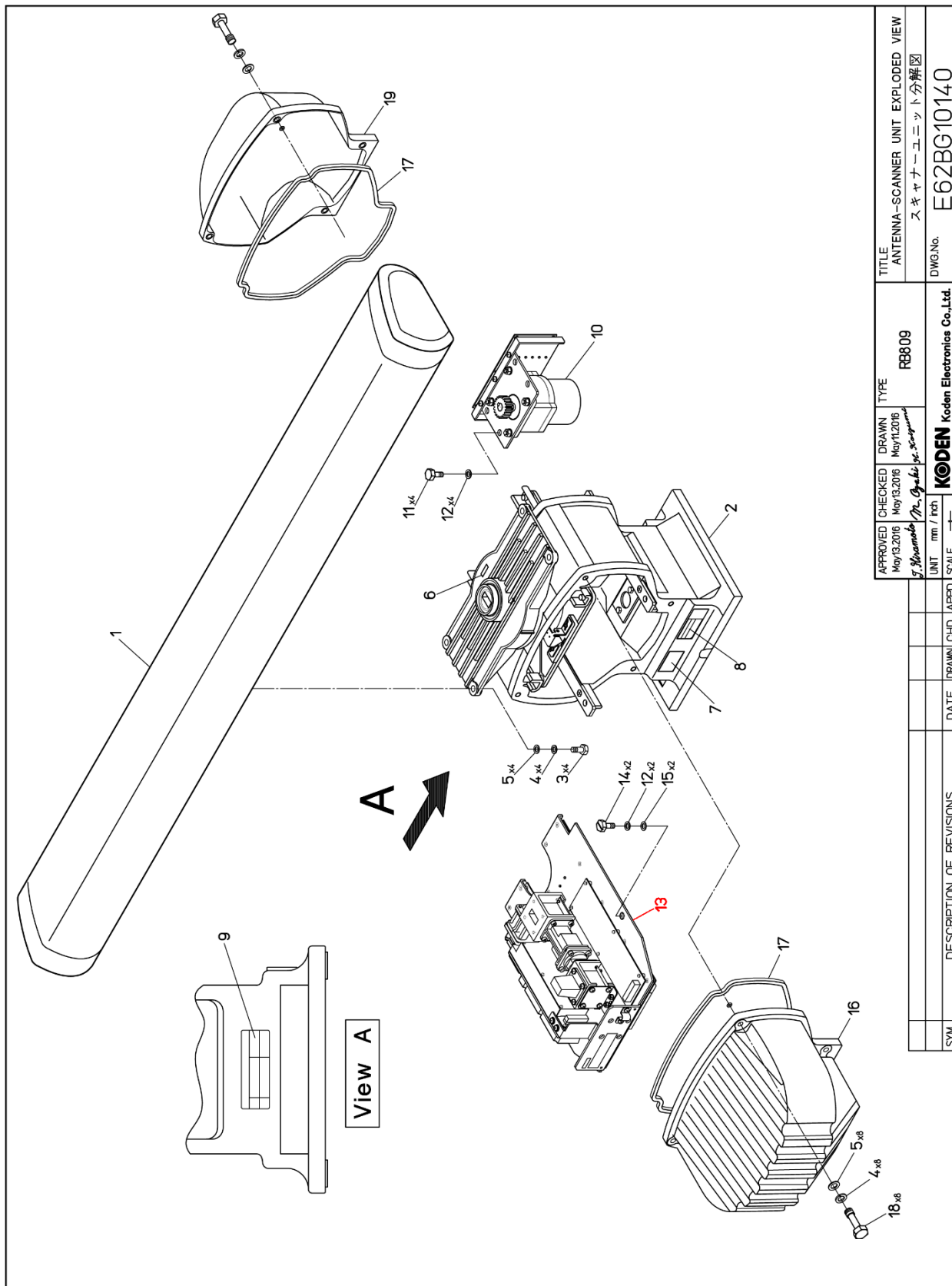
Ref. Drawing: Exploded view of Drive unit (RB808/808P/809/809P): E61BG10120

No.	Parts Code	Name	Description	Remarks	Price [USD]	
4	0060772140	PCB ASSY	E61-500A		140.00	

No.	Parts Code	Name	Description	Remarks	Price [USD]	
1 2 7 8 9 10	0062706003	DC BLUSHLESS MOTOR	E38MG50120		357.00	

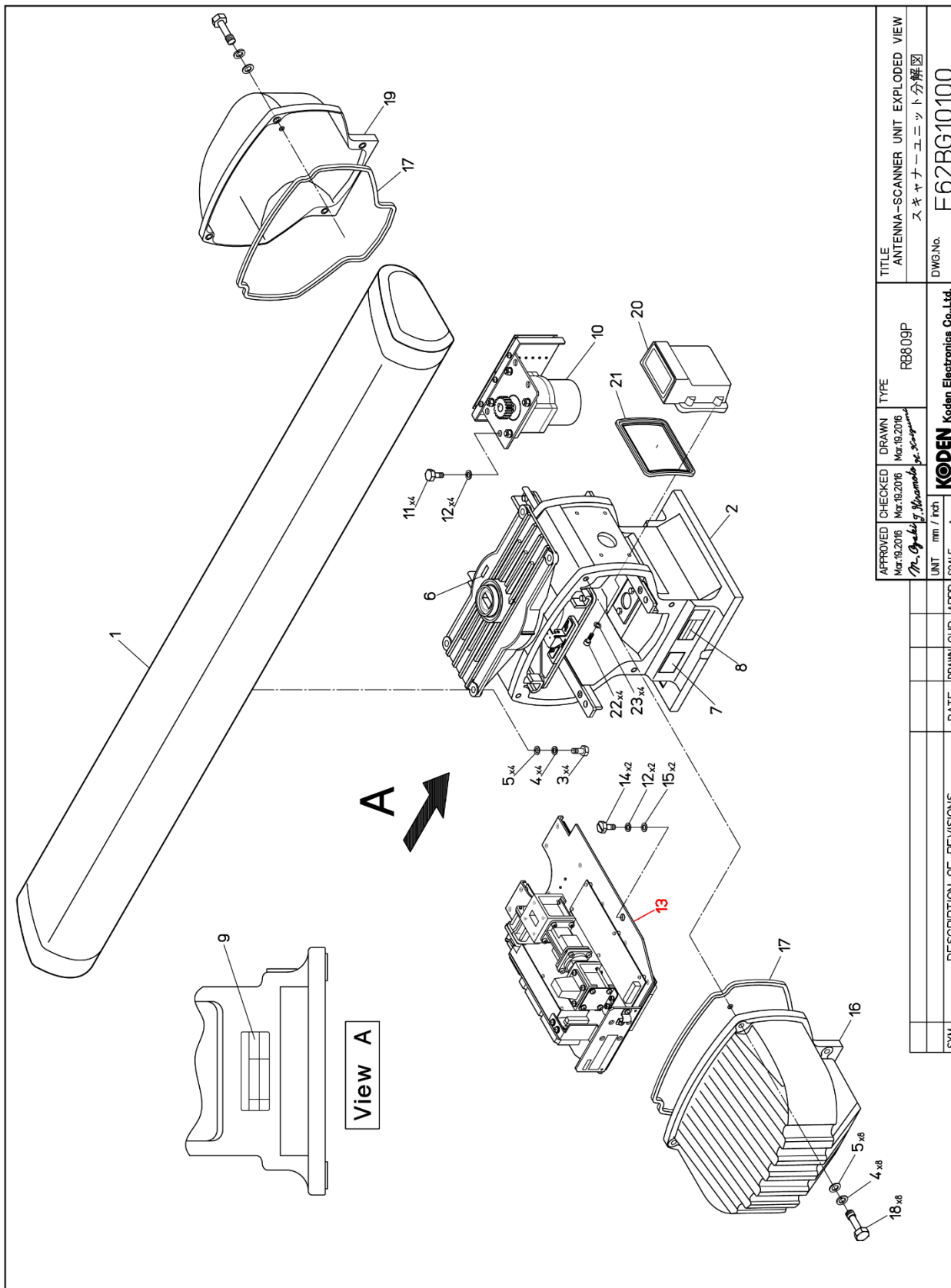


Exploded view of Antenna scanner unit (RB809): E62BG10140



APPROVED	CHECKED	DRAWN	TYPE	TITLE
May13,2016	May09,2016	May11,2016	RB809	ANTENNA-SCANNER UNIT EXPLODED VIEW
5 Yamamoto No. Ogaki, Inc. signature UNIT mm / inch SCALE 1:1				スキャナーユニット分解図 DWG.No. E62BG10140
<b>KODEN</b> Koden Electronics Co.,Ltd.				
DESCRIPTION OF REVISIONS				
SYM.	DATE	DRAWN	CHD.	APPD.

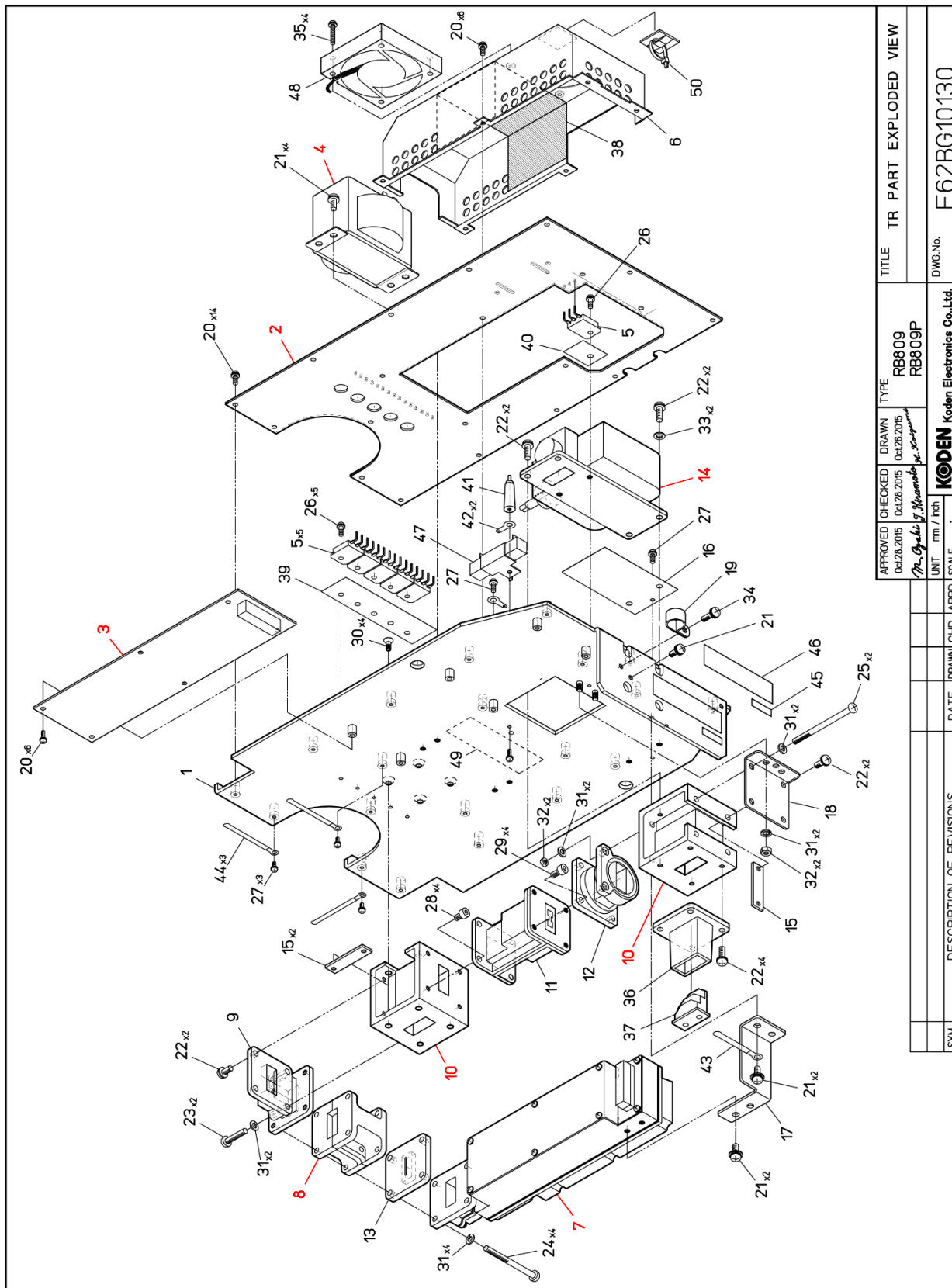
Exploded view of Antenna scanner unit (RB808P): E62BG10100



APPROVED	CHECKED	DRAWN	TYPE	TITLE
Mar:19,2016	Mar:19,2016	Mar:19,2016	RB809P	ANTENNA-SCANNER UNIT EXPLODED VIEW
<i>M. Ogaki</i> M. Ogaki M. Ogaki				スキャナーユニット分解図
UNIT	mm / inch	SCALE	DWG.No. E62BG10100	
		—	KODEN Kodens Electronics Co.,Ltd.	

SYM.	DESCRIPTION OF REVISIONS	DATE	DRAWN	CHD.	APPD.	SCALE

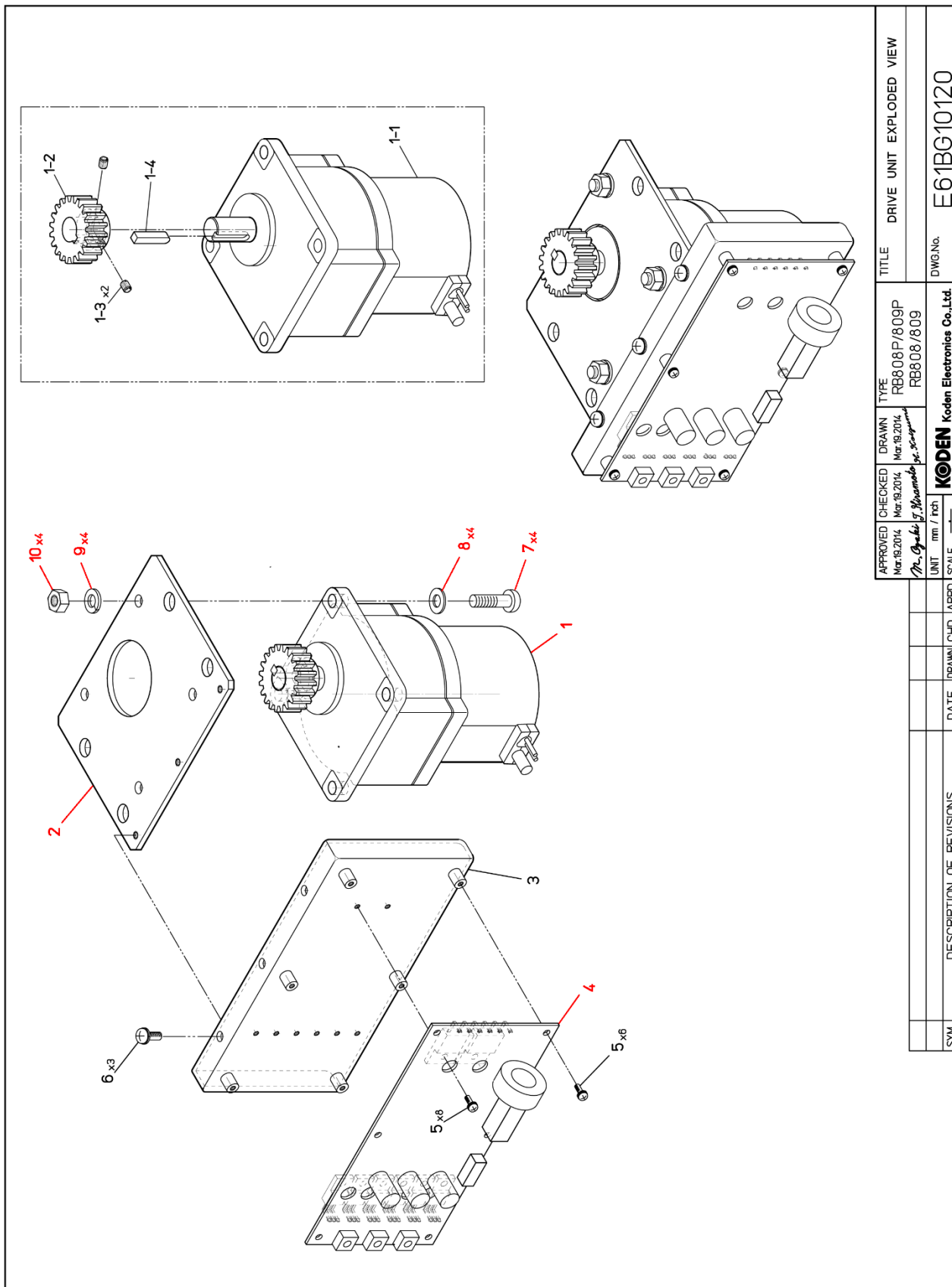
Exploded view of TR-unit (RB809/809P): E62BG10130



APPROVED	CHECKED	DRAWN	TYPE	TITLE
Oct.28.2015	Oct.28.2015	Oct.28.2015	RB809 RB809P	TR PART EXPLODED VIEW
<i>M. Oyake / M. Yamada / Y. Saito</i>				DWG.No.
UNIT mm / inch				E62BG10130
SCALE 1:1				
<b>KODEN</b> Koden Electronics Co.,Ltd.				

SYM.	DESCRIPTION OF REVISIONS	DATE	DRAWN	CHD.	APPD.

Exploded view of Drive unit (RB808/808P/809/809P): E61BG10120



APPROVED	CHECKED	DRAWN	TYPE	TITLE
Mr. Gyula J. Mészáros	Mar.19.2014	Mar.19.2014	RB808P/809P RB808/809	DRIVE UNIT EXPLODED VIEW
UNIT: mm / inch				DWG.No: E61BG10120
<b>KODEN</b> Kodon Electronics Co.,Ltd.				

SYM.	DESCRIPTION OF REVISIONS	DATE	DRAWN	CHD.	APPD.	SCALE

#### 4.5 6kW/12kW Open antenna scanner unit (RB717A/718A)

Ref. Drawing: Exploded view of Antenna scanner unit (RB717A/718A): E41BG20002.1

No.	Parts Code	Name	Description	Remarks	Price [USD]	
A0005	0030050002	TR UNIT [6 kW]	RB717A-TR unit		1,648.00	
	0030050023	TR UNIT [12kW]	RB718A-TR unit		1,812.00	

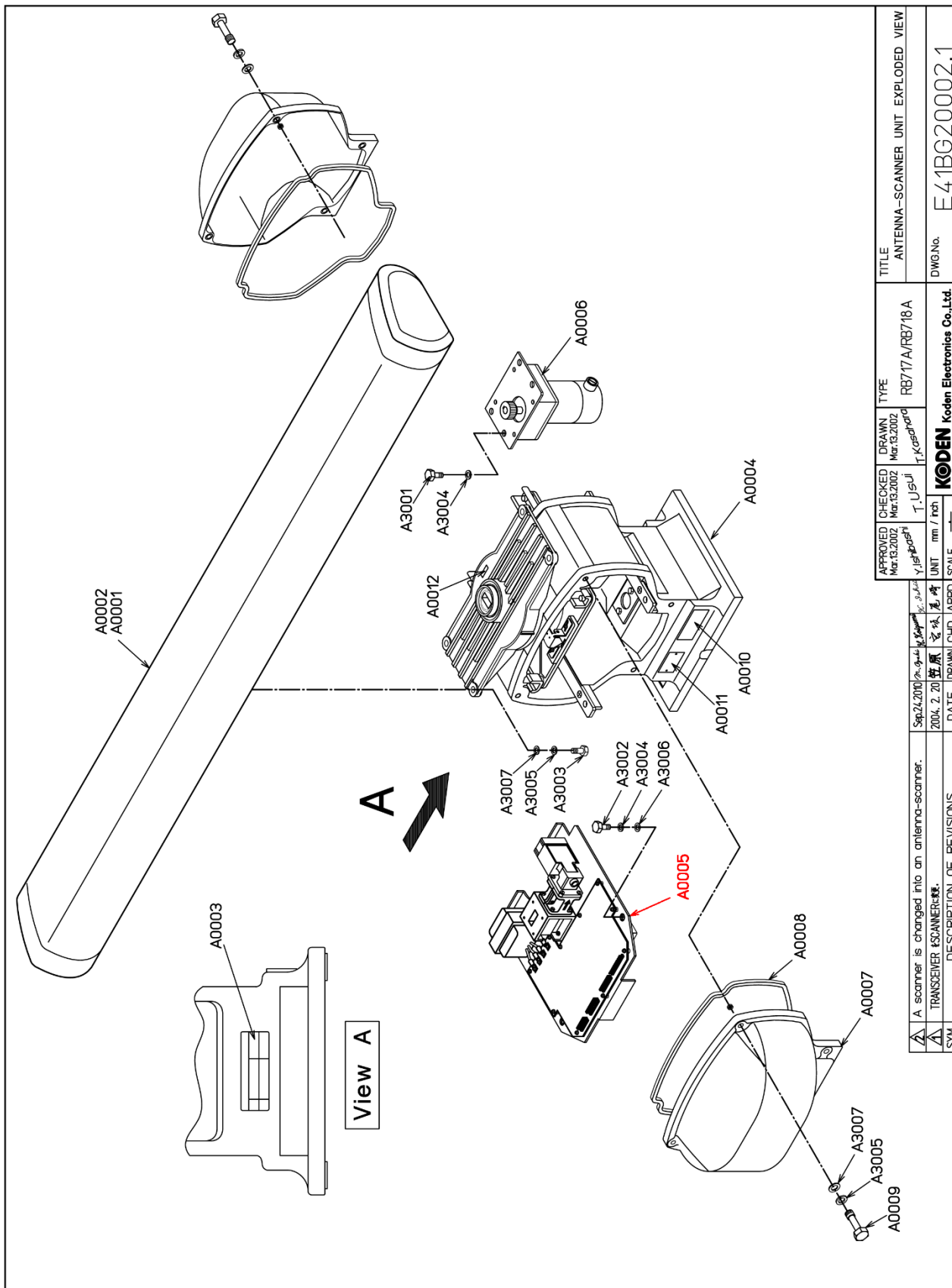
Ref. Drawing: Exploded view of TR-unit (RB717A/718A): E41BG20027.1

No.	Parts Code	Name	Description	Remarks	Price [USD]	
C0012	0059441005	MIC	NJT1973			
	0030050071	MIC	NJT1973		203.00	
C0011	0050351107	DIODE LIMITER	NJS6930		62.00	
C0018	0060720130	IF PCB	E41-200AB			
	0060720140	IF PCB	E41-200C		164.00	
C0002	0060710500	MODULATOR PCB [6 kW]	E41-100C			
	0060710570	MODULATOR PCB [6 kW]	E41-100D		296.00	
C0002	0060710490	MODULATOR PCB [12 kW]	E41-101C			
	0060710580	MODULATOR PCB [12 kW]	E41-101CF		311.00	
C0004	0056401330	TRANSFORMER [6 kW]	KCT-330BA		36.00	
	0056401331	TRANSFORMER [12 kW]	KCT-331BA		77.00	
C0023	0058670015	MAGNETRON [6 kW]	MSF1422B[J]			
	0030050052	MAGNETRON [6 kW]	MSF1422B[J]		333.00	
	0030050054	MAGNETRON [12 kW]	MSF1425B[J]		335.00	

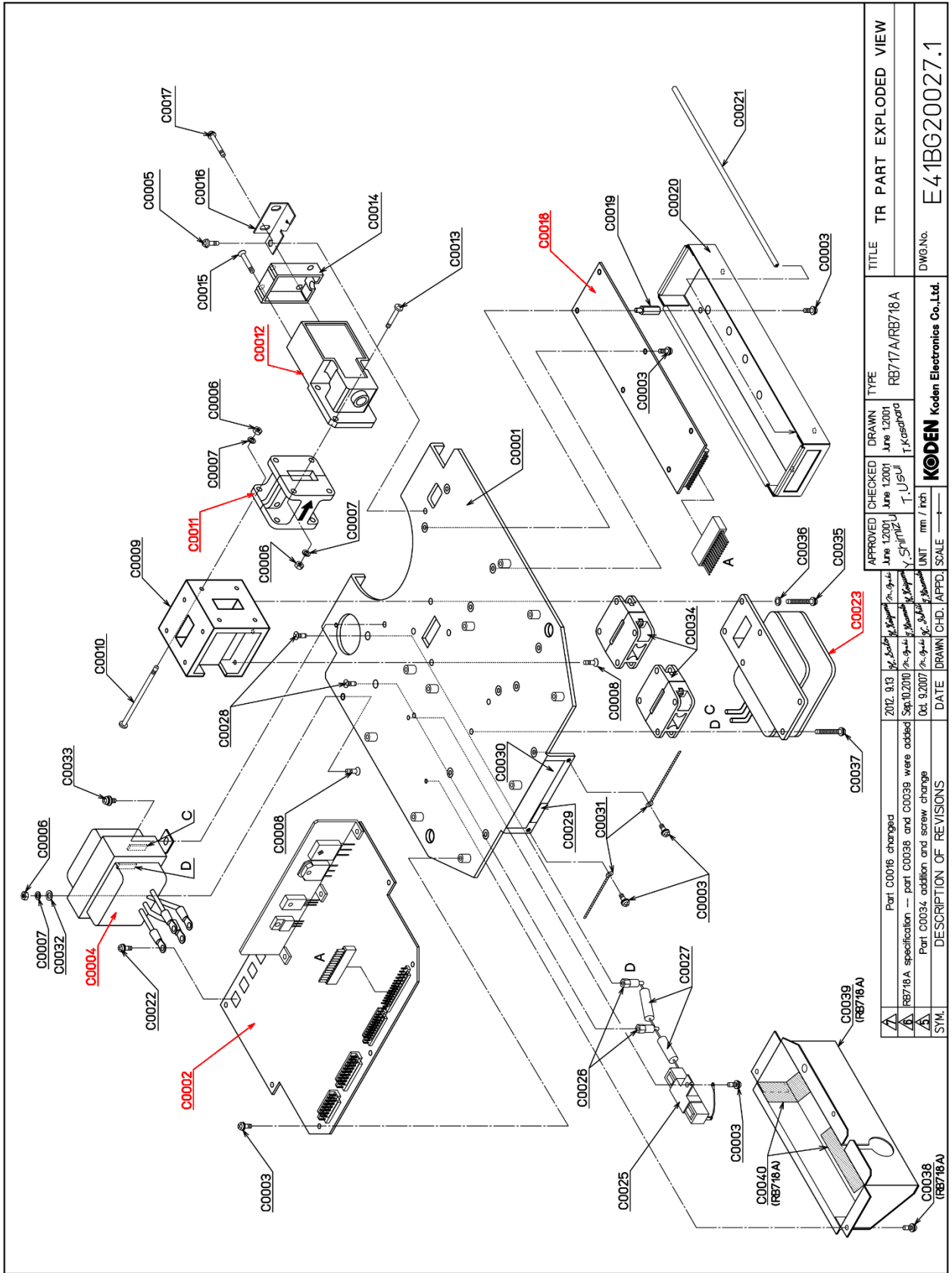
Ref. Drawing: Exploded view of Drive unit (RB806/807/717A/718A/719A): E48BG10133

No.	Parts Code	Name	Description	Remarks	Price [USD]	
1	0062703175	DC Motor with pinion gear	239H53917B		373.00	
1-8	0056280012	MOTOR BRUSH	24Z125209		4.00	
3	0030050034	AZI.PULSE UNIT	249U155426-04		20.00	

Exploded view of Antenna scanner unit (RB717A/718A): E41BG20002.1

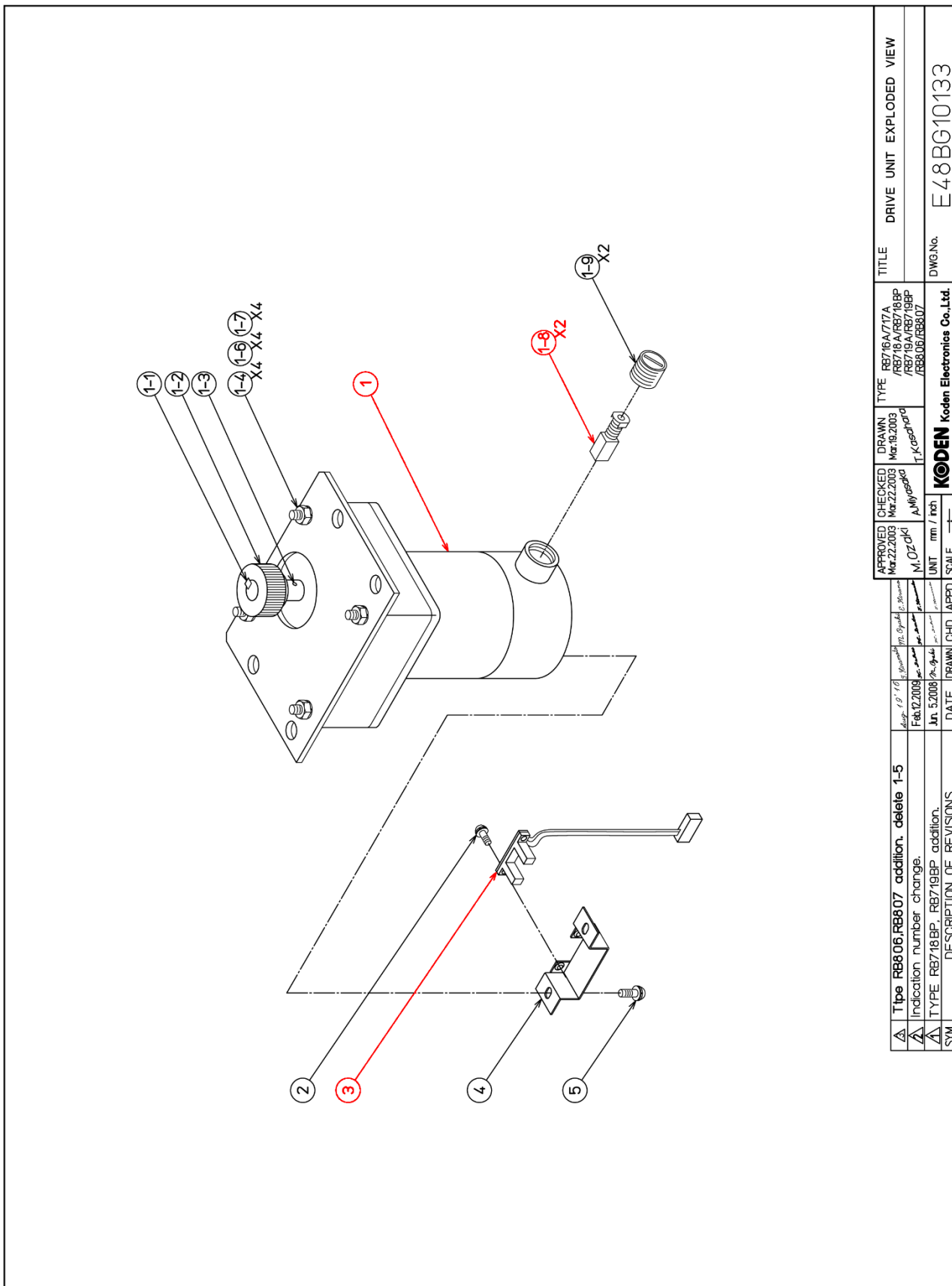


Exploded view of TR-unit (RB717A/718A): E41BG20027.1



APPROVED		CHECKED	DRAWN	TYPE	TITLE
June 12/07		June 12/07	June 12/07	RB717A/RB718A	TR PART EXPLODED VIEW
T. Usui		T. Usui	T. Kasehara		
UNIT		mm / inch	SCALE		
DRAWN		CHD.	APPD.	SCALE	
DESCRIPTION OF REVISIONS		DATE			
Part C0016 changed		2012. 9.13			
Part C0016, C0038 and C0039 were added		Sep.10.2010			
Part C0034, addition and screw change		Oct. 9.2007			
SYM.					
DWG.No.		E41BG20027.1			
KODEN		Koden Electronics Co.,Ltd.			

Exploded view of Drive unit (RB806/807/717A/718A/719A): E48BG10133





## 4.6 25kW Open Antenna scanner unit (RB719A)

Ref. Drawing: Exploded view of Antenna scanner unit (RB719A): E48BG20101

No.	Parts Code	Name	Description	Remarks	Price [USD]	
13	0030050024	TR UNIT [25kW]	RB719B-TR		2,871.00	

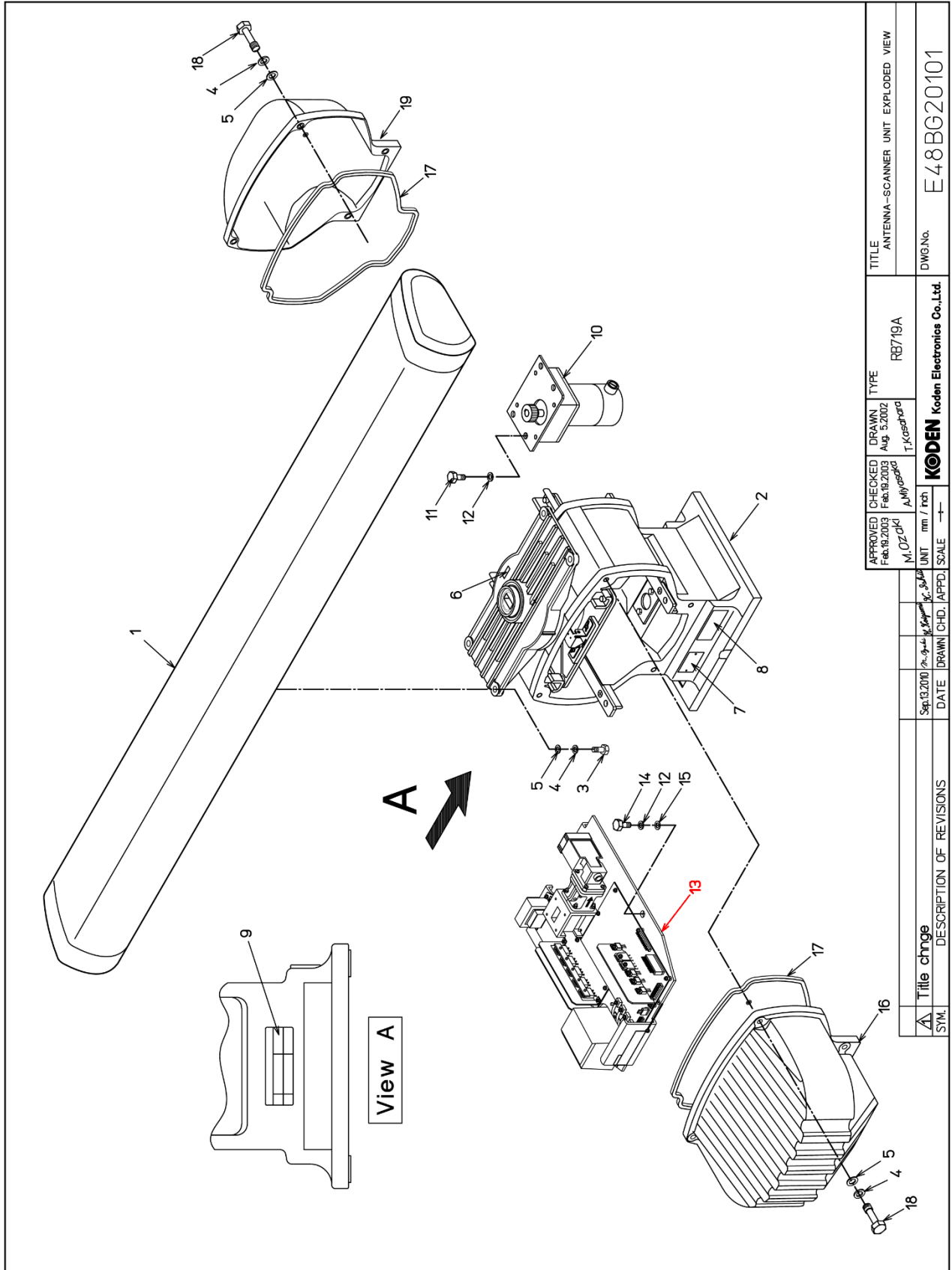
Ref. Drawing: Exploded view of TR-unit (RB719A): E48BG20127

No.	Parts Code	Name	Description	Remarks	Price [USD]	
11	0030050071	MIC	NJT1973		203.00	
7	0050351107	DIODE LIMITER	NJS6930		62.00	
18	<del>0060720130</del> 0060720140	<del>IF PCB</del> IF PCB	<del>E41-200AB</del> E41-200C		164.00	
2	<del>0060710480</del> 0060710590	<del>MODULATOR PCB [25 kW]</del> MODULATOR PCB [25 kW]	<del>E48-100C</del> E48-100CF		492.00	
4	0030050062	TRANSFORMER [25 kW]	KCT-341A		364.00	
22	0030050056	MAGNETRON	MSF1458A		756.00	

Ref. Drawing: Exploded view of Drive unit (RB806/807/717A/718A/719A): E48BG10133

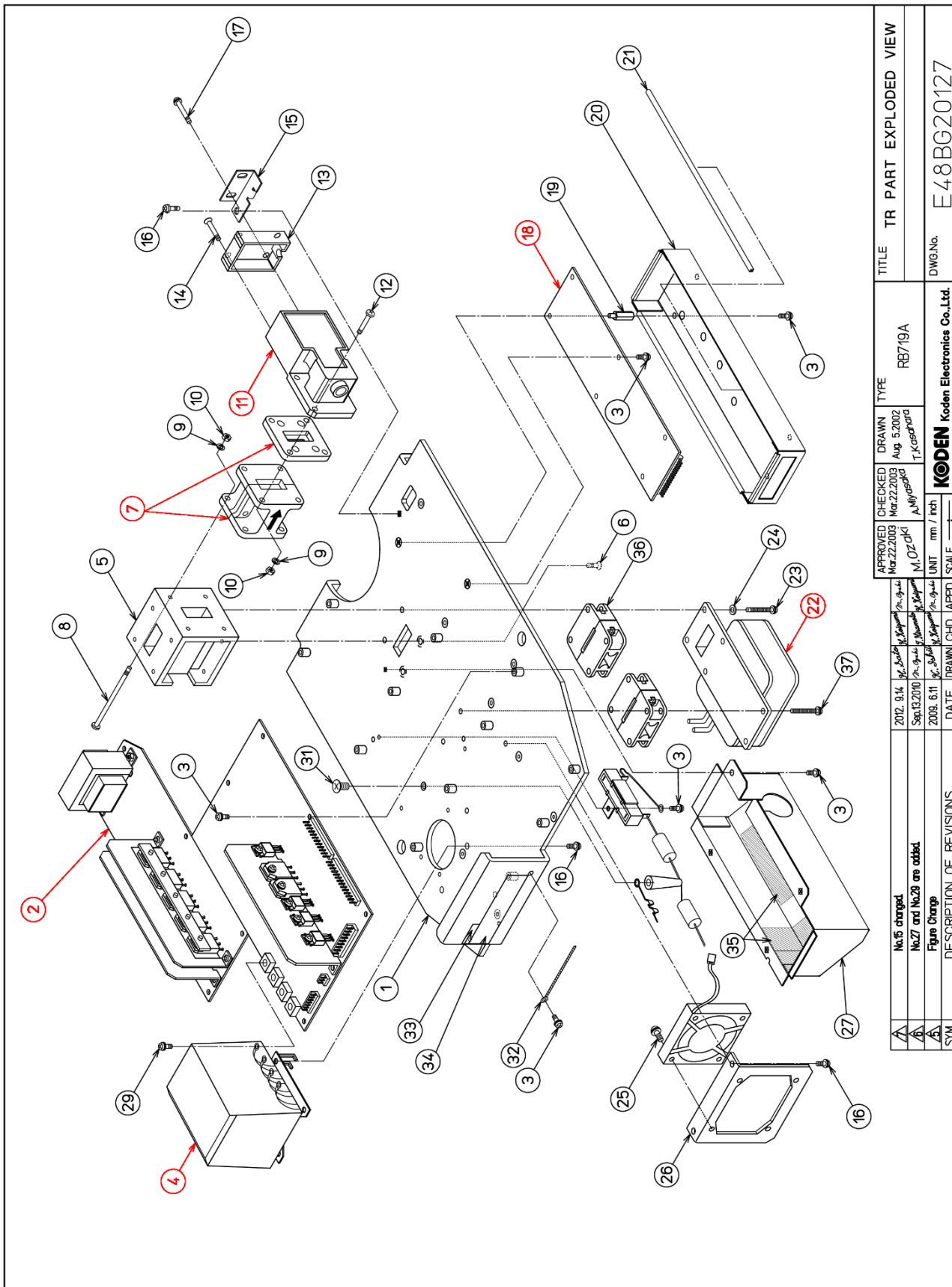
No.	Parts Code	Name	Description	Remarks	Price [USD]	
1	0062703175	DC Motor with pinion gear	239H53917B		373.00	
1-8	0056280012	MOTOR BRUSH	24Z125209		4.00	
3	0030050034	AZI.PULSE UNIT	249U155426-04		20.00	

Exploded view of Antenna scanner unit (RB719A): E48BG20101



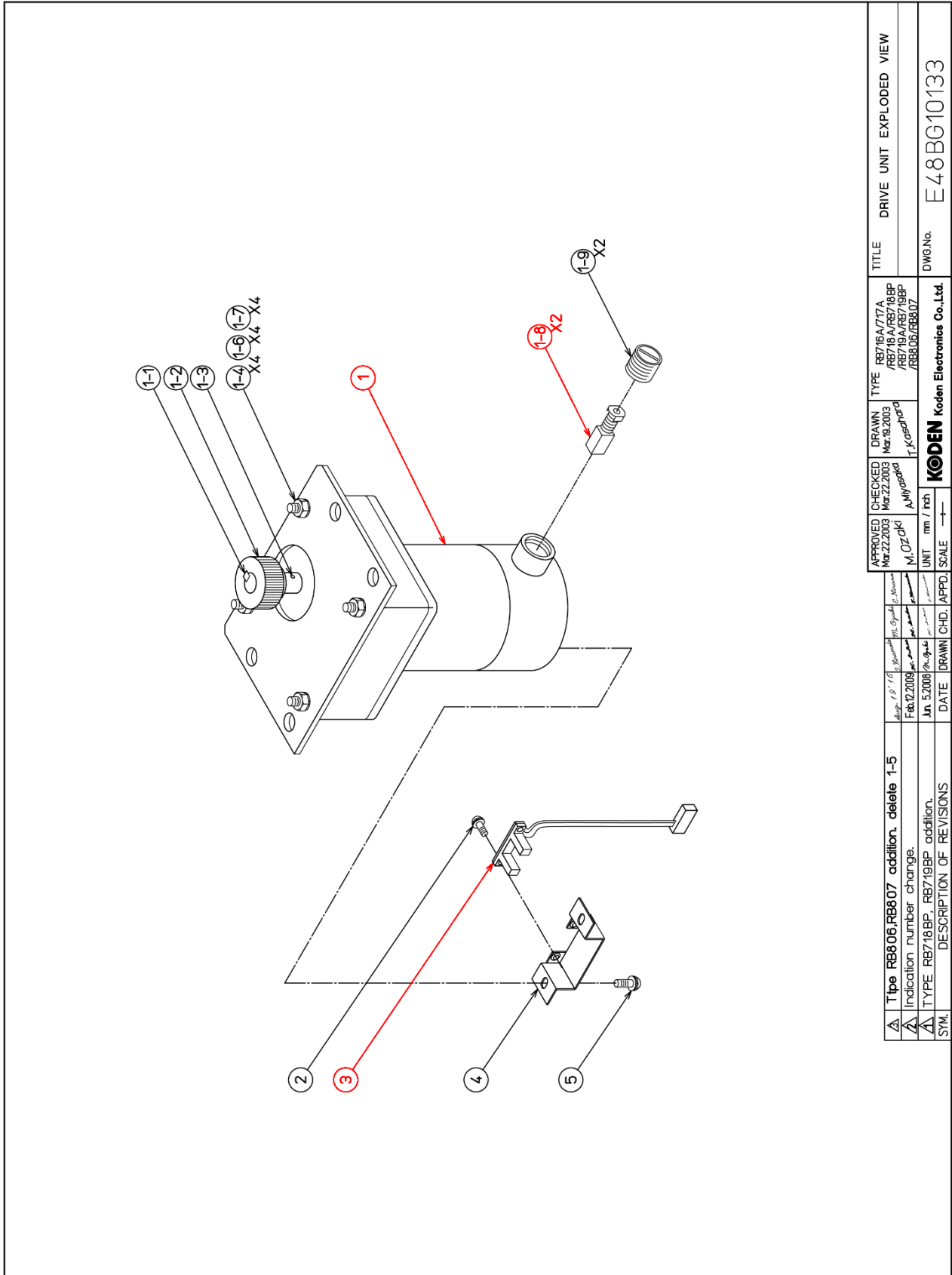
APPROVED	CHECKED	DRAWN	TYPE	TITLE
M. Ozeki	Feb.19.2003	Feb.19.2003	RB719A	ANTENNA-SCANNER UNIT EXPLODED VIEW
A. Miyasaka	Aug. 5.2002	T. Kasahara		
UNIT	mm / inch	SCALE	DWG.No. E48BG20101	
DATE	DRWN	CHD.	APPD.	
Sep.13.2010	M. Ozeki	T. Kasahara		
DESCRIPTION OF REVISIONS				
A	Title change			
STM.				

Ref. Drawing: Exploded view of TR-unit (RB719A): E48BG20127



APPROVED		CHECKED	DRAWN	TYPE	TITLE
Mar.22.2009		Mar.22.2009	Aug. 5.2002	RB719A	TR PART EXPLODED VIEW
M. Ozeki		A. Mykstad	T. Kasparid		
UNIT		mm / inch			
SCALE					
2012. 9.14		2012. 9.14	2012. 9.14		
2009. 6.11		2009. 6.11	2009. 6.11		
DATE		DATE	DATE		
DRAWN		CHKD.	APPD.		
DESCRIPTION OF REVISIONS					
No.15 changed					
No.27 and No.28 are added					
Figure Change					
SYM.					
DWG.No.		E48BG20127		KODEN Kodan Electronics Co.,Ltd.	

Exploded view of Drive unit (RB806/807/717A/718A/719A): E48BG10133



APPROVED	CHECKED	DRAWN	TYPE	TITLE
Mar.22.2009	Mar.22.2009	Mar.19.2009	RB716A/717A /RB718A/RB718BP /RB719A/RB719BP /RB806/RB807	DRIVE UNIT EXPLODED VIEW
M.OZ d/c	A.Mysak	T.Koschler		DWG.No. E48BG10133
UNIT	mm / inch	SCALE		
DATE	DRAWN	CHD.	APPD.	
Feb.12.2009				
Jan. 5.2008				
SYM. DESCRIPTION OF REVISIONS				
Δ	Type RB806,RB807 addition, delete 1-5			
Δ	Indication number change.			
Δ	TYPE RB716BP, RB719BP addition.			

**KODEN**

Koden Electronics Co., Ltd.

Sales Section

5278 Uenohara, Uenohara-shi

Yamanashi 409-0112 Japan

Tel: +81-554-20-5871

E-mail: [parts@koden-electronics.co.jp](mailto:parts@koden-electronics.co.jp)

URL: [www.koden-electronics.co.jp](http://www.koden-electronics.co.jp)