

KODEN

10.4-inch Color LCD
Echo Sounder

CVS-1420 WITH HARDNESS OUTPUT

«DIGITAL»

High performance Echo Sounder
with a transmission power of 1 kW to 3 kW



**HARDNESS
OUTPUT FOR
OLEX**

SPECIFICATIONS

Model	CVS-1420
Output method	Single or Alternate
Display size and type	10.4 inch color TFT LCD
Display resolution	640 x 480 pixels (VGA)
Basic range	2.5 to 2000 (m), 10 to 6000 (ft), 2.5 to 1100 (fm / l. fm) (8 ranges can be set to users choice)
Zoom range	2.5 to 200 (m) 10 to 650 (ft) 2.5 to 150 (fm / l. fm)
Range unit	m, ft, fm, lfm
Shift step	1m, 10m, 1/8, 1/4
Presentation modes	High frequency, Low frequency, Dual frequency, Zoom image (Bottom lock, Bottom discrimination, Bottom zoom, Zoom, Bottom follow zoom), Nav mode, Vertical split, Horizontal split A-scope can be displayed at all above modes
Presentation colors	64 colors, 16 colors, 8 colors, Monochrome
Back ground colors	Marine blue, Blue, Black, White, Nighttime color, Other 5 colors
Alarms	Bottom, Fish, Temperature*, Speed**, Arrival**, XTE**
Image speed	9 steps & stop
Functions	Interference rejection, Color rejection, Depth maker (VRM), Noise reduction, White line, Draft correct, Water temperature correct, Boat speed correct, Store image (10 images), Fishing Hot Spot, Event memory, Simple plotter, Panel illumination, Power reduction, External trigger, Fish information, Detection area display
Auto functions	Range, Shift, TVG, TX Power, White line
Language	Chinese1, Chinese2, English, French, Greek, Italian, Japanese, Korean, Spanish, Thai, Danish, Vietnamese
Input data format and sentences	NMEA0183 Ver.1.5 / 2.0 / 3.0 GGA, GLL, HDT, MTW, MWV, RMC, THS, VHW, VTG, ZDA
Output data format and sentences	NMEA0183 Ver.2.0 / 3.0 (DBT : Ver.1.5) DBT, DPT, GGA, GLL, HDT, MTW, MWV, RMC, TLL, VHW, VTG, ZDA
NMEA input / output ports	Total 1 : input and output
Power supply	10.8 to 31.2 VDC
Power consumption	50 W or less (at 24 VDC)

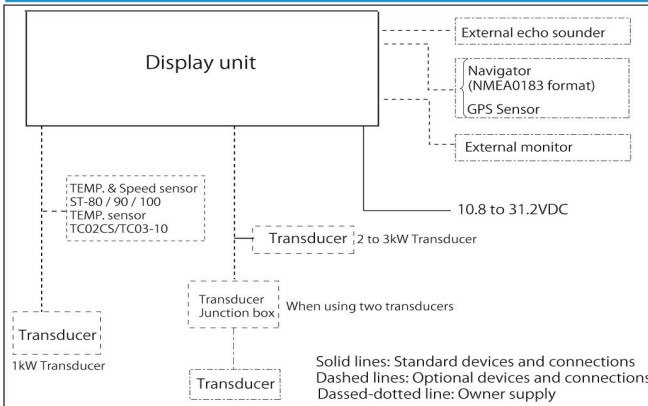
Environmental

Operating temperature	-15°C to +55°C
Water protection	IPX5

* Requires data from Temp sensor

** Requires data from GPS sensor

CONNECTIONS



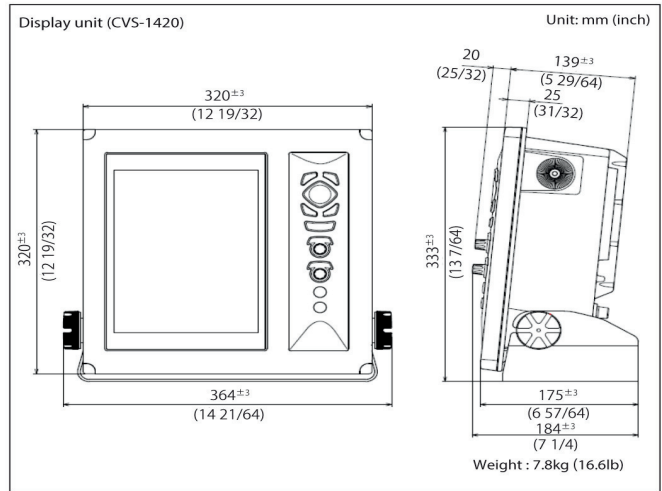
EQUIPMENT LIST

Standard	Display unit with hard cover, Mounting bracket	1 set
	DC power cable, Spare parts, Cable for transducer, Operation manual, Quick reference	1 set
Options	Transducer, Temp. & speed sensor, Connection cables for external devices, Junction box, Power rectifier, AC power cable, Inner-hul kit	

TRANSDUCER

Model	Output frequency	Output power (RMS)
TD-501C	50 / 200 kHz	1 kW
TD-501T-3B	50 / 200 kHz	1 kW
TD-284A	28 kHz	3 kW
TD-404T	40 kHz	3 kW
TD-504T / 504F	50 kHz	3 kW
TD-754	75 kHz	3 kW
150kHz 120φx1	150 kHz	2 kW
NGM100-200-12L	200 kHz	2 kW

DIMENSIONS AND WEIGHT



Safety precaution To ensure proper and safe use of the equipment, please carefully read and follow the instructions in the Operation Manual.

For details, please contact:

• Design and specifications are subject to change without notice.

KODEN Kodan Electronics Co., Ltd.

Tamagawa Office:
2-13-24 Tamagawa, Ota-ku, Tokyo, 146-0095 Japan
Tel: +81-3-3756-6501 Fax: +81-3-3756-6509

Uenohara Office:
5278 Uenohara, Uenohara-shi, Yamanashi, 409-0112 Japan
Tel: +81-554-20-5860 Fax: +81-554-20-5875

overseas@koden-electronics.co.jp

www.koden-electronics.co.jp

Safety precaution To ensure proper and safe use of the equipment, please carefully read and follow the instructions in the Operation Manual.

For details, please contact:

TEL: 01621 853003
ses@mantsbrite.com
www.mantsbrite.com